

## PRODUCT DATA SHEET

|                       |                          |
|-----------------------|--------------------------|
| <b>PRODUCT NAME:</b>  | RUBBER SHIM SH100 1,5 MM |
| <b>TRADE NAME:</b>    | SH100                    |
| <b>CODE:</b>          | 10399                    |
| <b>PRODUCT GROUP:</b> | DDP ACCESSORIES          |
| <b>HS CODE:</b>       | 4016930090               |

## TECHNICAL DATA

|                                |               |
|--------------------------------|---------------|
| <b>HEIGHT:</b>                 | <b>1,5 MM</b> |
| <b>WEIGHT [kg]</b>             | 0.01          |
| <b>SIZE [mm]</b>               | Ø 100 MM      |
| <b>COLOR</b>                   | BLACK         |
| <b>MATERIAL</b>                | SEBS          |
| <b>COMPRESSION RESISTANCE:</b> | --            |



### PROPERTIES:

- ELASTIC,
- ANTI-NOISE
- EXTERNAL WEATHER CONDITION RESISTANT

### DESCRIPTION:

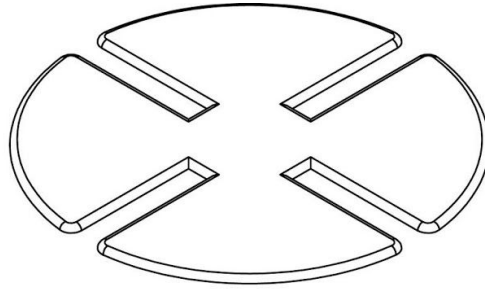
Rubber shim can be comprehensively used when making terrace with adjustable pedestals. Whenever it needs to tiles thickness adjust or make additional soundproof rubber shim are perfect solution. No more sand grain cracking under your tiles. Additional vibration absorption and noises mute.<sup>2</sup>

<sup>1,2</sup> - (detailed information in Technical Specification)

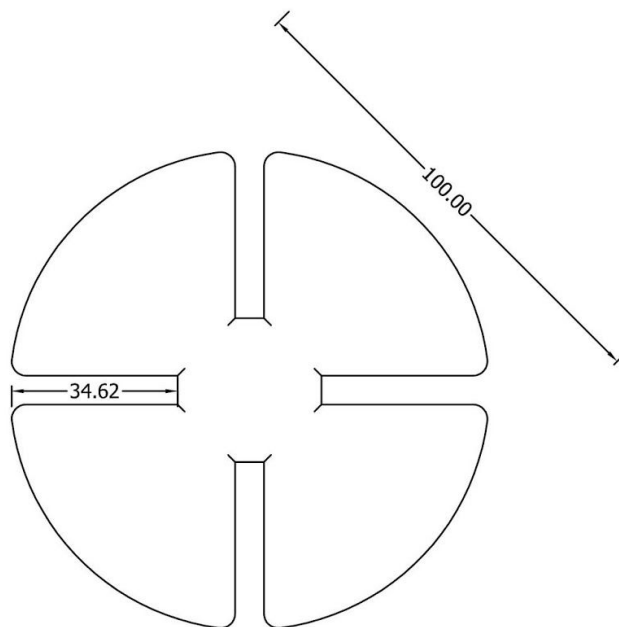
## DATA LOGISTIC

| CARTON BOX |                 |              |               | PALLET    |                 |              |               |
|------------|-----------------|--------------|---------------|-----------|-----------------|--------------|---------------|
| SIZE [CM.] | QUANTITY [PCS.] | WEIGHT NETTO | WEIGHT BRUTTO | SIZE [CM] | QUANTITY [PCS.] | WEIGHT NETTO | WEIGHT BRUTTO |
| --         | --              | --           | --            | --        | --              | --           | --            |

## MEASUREMENTS



1.50



## PRODUCT DATA SHEET

|                       |                                      |
|-----------------------|--------------------------------------|
| <b>PRODUCT NAME:</b>  | ADJUSTABLE PEDESTAL 30-45 MM         |
| <b>TRADE NAME:</b>    | DDP 030-045                          |
| <b>CODE:</b>          | 10024 (3MM), 10025 (5MM), 10429 (AD) |
| <b>PRODUCT GROUP:</b> | ADJUSTABLE PEDESTALS STANDARD        |
| <b>HS CODE:</b>       | 39259080                             |

## TECHNICAL DATA

|                                |                            |
|--------------------------------|----------------------------|
| <b>HEIGHT:</b>                 | <b>30-45 MM</b>            |
| <b>WEIGHT [kg]</b>             | 0.163                      |
| <b>SIZE [mm]</b>               | BASE Ø185 MM, HEAD Ø100 MM |
| <b>COLOR</b>                   | BLACK                      |
| <b>MATERIAL</b>                | PP                         |
| <b>COMPRESSION RESISTANCE:</b> | 400 kg <sup>1</sup>        |
| <b>PHOTOS:</b>                 | <a href="#">link</a>       |
| <b>DOCUMENTS:</b>              | <a href="#">link</a>       |



### PROPERTIES:

- stepless height regulation,
- movable gap spacers 3 and 5 MM,
- joist adapter,
- version V0 SELF-EXTINGUISHING available (this parameter is optional)

### DESCRIPTION:

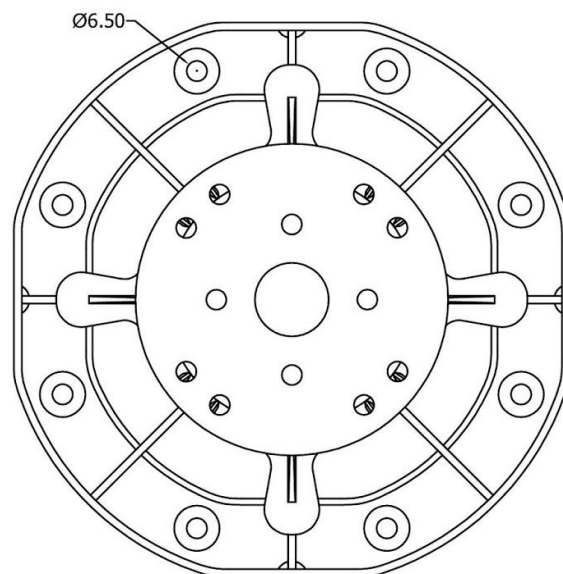
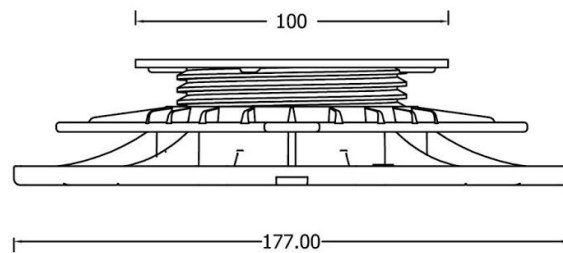
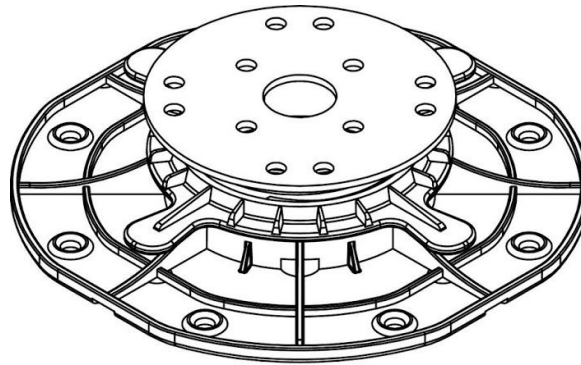
DD PEDESTALS are designed to support / for the installation of concrete, stone or wood terrace plates, wooden terrace joists, grating, pavement structure floors, sidewalks, etc. DD PEDESTALS are predisposed for use in areas exposed to the direct impact of external weather conditions. DD PEDESTALS should be placed on stable and plain basis. <sup>2</sup>

<sup>1,2</sup> - (detailed information in Technical Specification)

## DATA LOGISTIC

| CARTON BOX |                 |              |               | PALLET      |                 |              |               |
|------------|-----------------|--------------|---------------|-------------|-----------------|--------------|---------------|
| SIZE [CM.] | QUANTITY [PCS.] | WEIGHT NETTO | WEIGHT BRUTTO | SIZE [CM]   | QUANTITY [PCS.] | WEIGHT NETTO | WEIGHT BRUTTO |
| 60X50X40   | 100             | 16,3         | 17,4          | 120X100X220 | 2000            | 326          | 348           |

## MEASUREMENTS



## PRODUCT DATA SHEET

|                       |                                      |
|-----------------------|--------------------------------------|
| <b>PRODUCT NAME:</b>  | ADJUSTABLE PEDESTAL 45-70 MM         |
| <b>TRADE NAME:</b>    | DDP 045-070                          |
| <b>CODE:</b>          | 10028 (3MM), 10029 (5MM), 10027 (AD) |
| <b>PRODUCT GROUP:</b> | ADJUSTABLE PEDESTALS STANDARD        |
| <b>HS CODE:</b>       | 39259080                             |

## TECHNICAL DATA

|                                |                            |
|--------------------------------|----------------------------|
| <b>HEIGHT:</b>                 | <b>45-70 MM</b>            |
| <b>WEIGHT [kg]</b>             | 0.2                        |
| <b>SIZE [mm]</b>               | BASE Ø185 MM, HEAD Ø100 MM |
| <b>COLOR</b>                   | BLACK                      |
| <b>MATERIAL</b>                | PP                         |
| <b>COMPRESSION RESISTANCE:</b> | 400 kg <sup>1</sup>        |
| <b>PHOTOS:</b>                 | <a href="#">link</a>       |
| <b>DOCUMENTS:</b>              | <a href="#">link</a>       |



### PROPERTIES:

- stepless height regulation,
- movable gap spacers 3 and 5 MM,
- joist adapter,
- version V0 SELF-EXTINGUISHING available (this parameter is optional)

### DESCRIPTION:

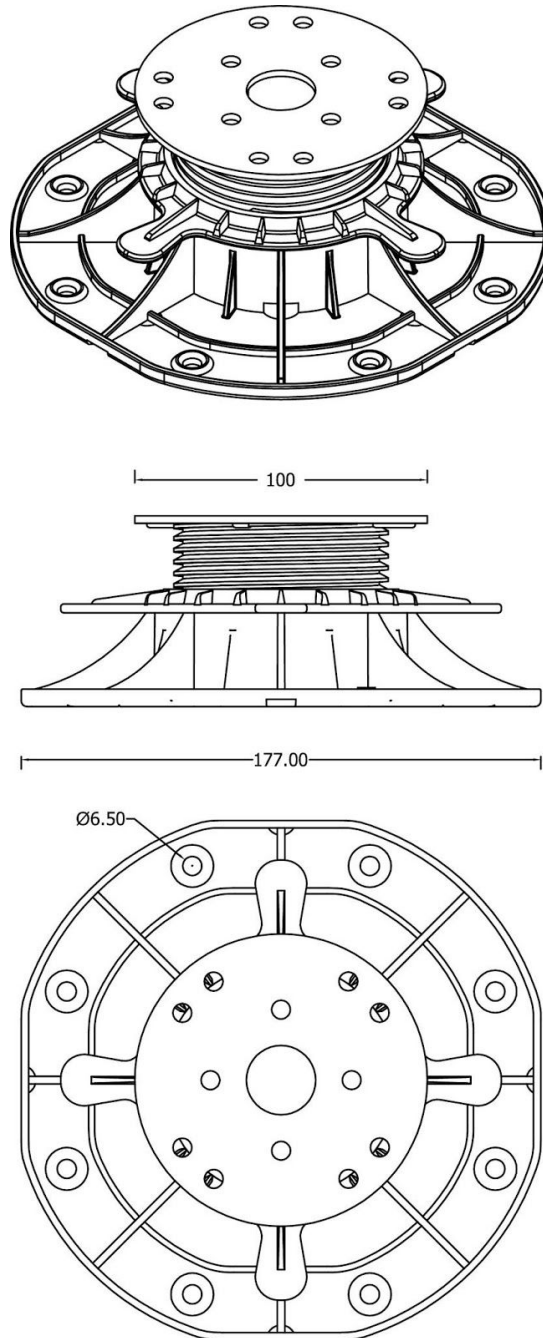
DD PEDESTALS are designed to support / for the installation of concrete, stone or wood terrace plates, wooden terrace joists, grating, pavement structure floors, sidewalks, etc. DD PEDESTALS are predisposed for use in areas exposed to the direct impact of external weather conditions. DD PEDESTALS should be placed on stable and plain basis. <sup>2</sup>

<sup>1,2</sup> - (detailed information in Technical Specification)

## DATA LOGISTIC

| CARTON BOX |                 |              |               | PALLET      |                 |              |               |
|------------|-----------------|--------------|---------------|-------------|-----------------|--------------|---------------|
| SIZE [CM.] | QUANTITY [PCS.] | WEIGHT NETTO | WEIGHT BRUTTO | SIZE [CM]   | QUANTITY [PCS.] | WEIGHT NETTO | WEIGHT BRUTTO |
| 60X50X40   | 70              | 14           | 15,1          | 120X100X220 | 1400            | 280          | 302           |

## MEASUREMENTS



## PRODUCT DATA SHEET

|                       |                                      |
|-----------------------|--------------------------------------|
| <b>PRODUCT NAME:</b>  | ADJUSTABLE PEDESTAL 70-120 MM        |
| <b>TRADE NAME:</b>    | DDP 070-120                          |
| <b>CODE:</b>          | 10032 (3MM), 10033 (5MM), 10031 (AD) |
| <b>PRODUCT GROUP:</b> | ADJUSTABLE PEDESTALS STANDARD        |
| <b>HS CODE:</b>       | 39259080                             |

## TECHNICAL DATA

|                                |                            |
|--------------------------------|----------------------------|
| <b>HEIGHT:</b>                 | <b>70-120 MM</b>           |
| <b>WEIGHT [kg]</b>             | 0.261                      |
| <b>SIZE [mm]</b>               | BASE Ø185 MM, HEAD Ø100 MM |
| <b>COLOR</b>                   | BLACK                      |
| <b>MATERIAL</b>                | PP                         |
| <b>COMPRESSION RESISTANCE:</b> | 400 kg <sup>1</sup>        |
| <b>PHOTOS:</b>                 | <a href="#">link</a>       |
| <b>DOCUMENTS:</b>              | <a href="#">link</a>       |



### PROPERTIES:

- stepless height regulation,
- movable gap spacers 3 and 5 MM,
- joist adapter,
- version V0 SELF-EXTINGUISHING available (this parameter is optional)

### DESCRIPTION:

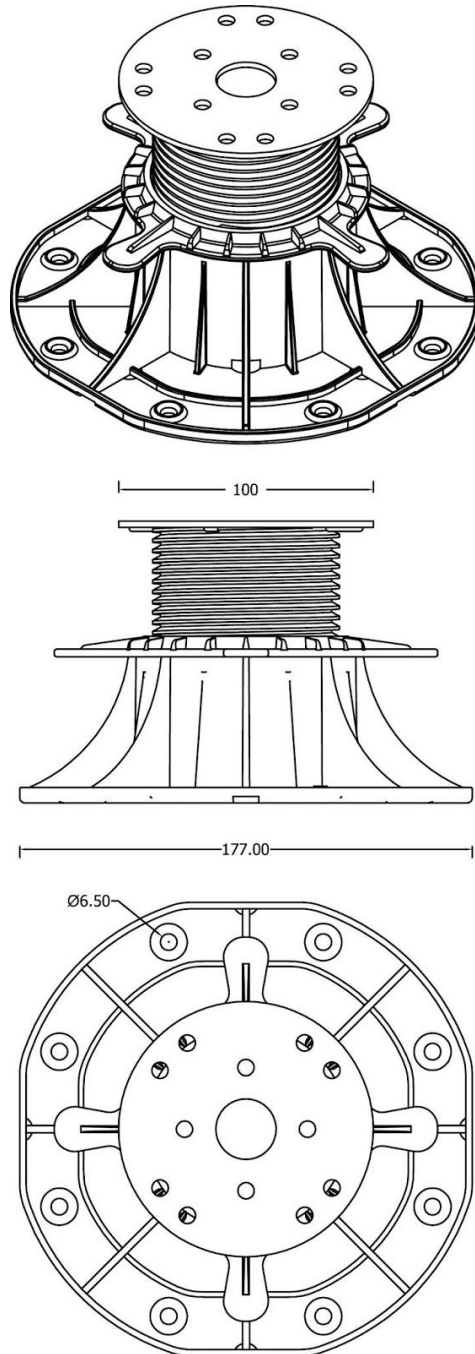
DD PEDESTALS are designed to support / for the installation of concrete, stone or wood terrace plates, wooden terrace joists, grating, pavement structure floors, sidewalks, etc. DD PEDESTALS are predisposed for use in areas exposed to the direct impact of external weather conditions. DD PEDESTALS should be placed on stable and plain basis. <sup>2</sup>

<sup>1,2</sup> - (detailed information in Technical Specification)

## DATA LOGISTIC

| CARTON BOX |                 |              |               | PALLET      |                 |              |               |
|------------|-----------------|--------------|---------------|-------------|-----------------|--------------|---------------|
| SIZE [CM.] | QUANTITY [PCS.] | WEIGHT NETTO | WEIGHT BRUTTO | SIZE [CM]   | QUANTITY [PCS.] | WEIGHT NETTO | WEIGHT BRUTTO |
| 60X50X40   | 50              | 13,05        | 14,15         | 120X100X220 | 1000            | 261          | 283           |

## MEASUREMENTS





## PRODUCT DATA SHEET

|                       |                                      |
|-----------------------|--------------------------------------|
| <b>PRODUCT NAME:</b>  | ADJUSTABLE PEDESTAL 120-220 MM       |
| <b>TRADE NAME:</b>    | DDP 120-220                          |
| <b>CODE:</b>          | 10036 (3MM), 10037 (5MM), 10035 (AD) |
| <b>PRODUCT GROUP:</b> | ADJUSTABLE PEDESTALS STANDARD        |
| <b>HS CODE:</b>       | 39259080                             |

## TECHNICAL DATA

|                                |                            |
|--------------------------------|----------------------------|
| <b>HEIGHT:</b>                 | <b>120-220 MM</b>          |
| <b>WEIGHT [kg]</b>             | 0.41                       |
| <b>SIZE [mm]</b>               | BASE Ø185 MM, HEAD Ø100 MM |
| <b>COLOR</b>                   | BLACK                      |
| <b>MATERIAL</b>                | PP                         |
| <b>COMPRESSION RESISTANCE:</b> | 400 kg <sup>1</sup>        |
| <b>PHOTOS:</b>                 | <a href="#">link</a>       |
| <b>DOCUMENTS:</b>              | <a href="#">link</a>       |



### PROPERTIES:

- stepless height regulation,
- movable gap spacers 3 and 5 MM,
- joist adapter,
- version V0 SELF-EXTINGUISHING available (this parameter is optional)

### DESCRIPTION:

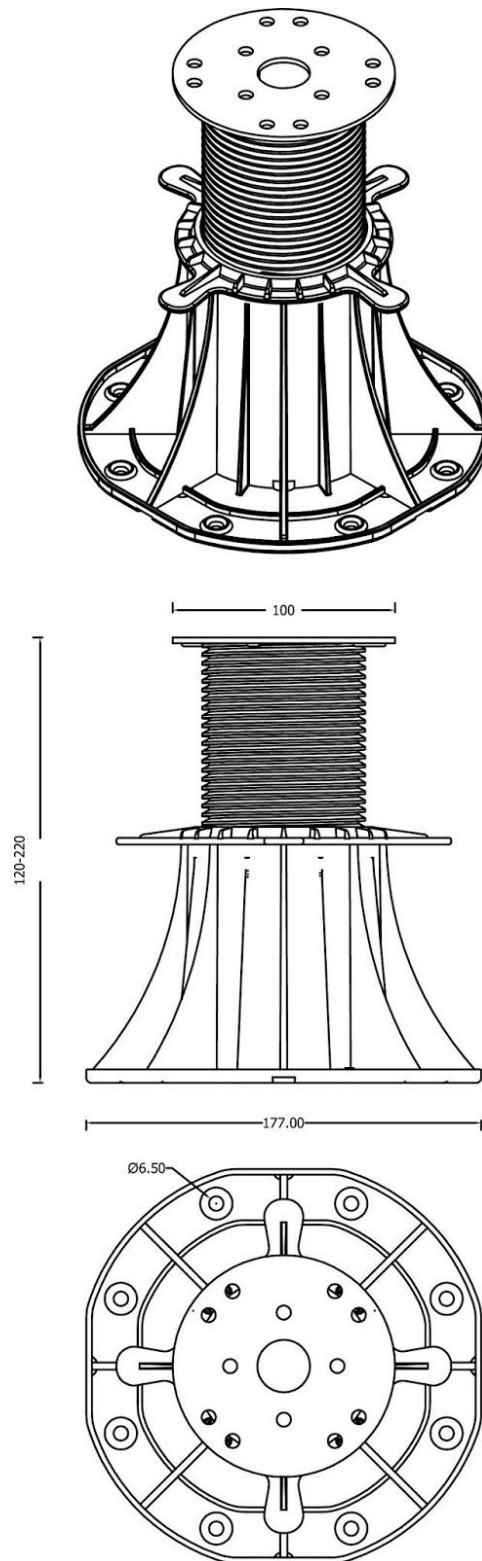
DD PEDESTALS are designed to support / for the installation of concrete, stone or wood terrace plates, wooden terrace joists, grating, pavement structure floors, sidewalks, etc. DD PEDESTALS are predisposed for use in areas exposed to the direct impact of external weather conditions. DD PEDESTALS should be placed on stable and plain basis. <sup>2</sup>

<sup>1,2</sup> - (detailed information in Technical Specification)

## DATA LOGISTIC

| CARTON BOX |                 |              |               | PALLET      |                 |              |               |
|------------|-----------------|--------------|---------------|-------------|-----------------|--------------|---------------|
| SIZE [CM.] | QUANTITY [PCS.] | WEIGHT NETTO | WEIGHT BRUTTO | SIZE [CM]   | QUANTITY [PCS.] | WEIGHT NETTO | WEIGHT BRUTTO |
| 60X50X40   | 36              | 14,76        | 15,86         | 120X100X220 | 720             | 295,2        | 317,2         |

## MEASUREMENTS



## PRODUCT DATA SHEET

|                       |                 |
|-----------------------|-----------------|
| <b>PRODUCT NAME:</b>  | JOIST ADAPTER   |
| <b>TRADE NAME:</b>    | AD              |
| <b>CODE:</b>          | 10000           |
| <b>PRODUCT GROUP:</b> | DDP ACCESSORIES |
| <b>HS CODE:</b>       | 39259080        |

## TECHNICAL DATA

|                                |                   |
|--------------------------------|-------------------|
| <b>HEIGHT:</b>                 | <b>N/A</b>        |
| <b>WEIGHT [kg]</b>             | 1,24 kg / 100 PCS |
| <b>SIZE [mm]</b>               | 28x86x15          |
| <b>COLOR</b>                   | BLACK             |
| <b>MATERIAL</b>                | PP                |
| <b>COMPRESSION RESISTANCE:</b> | N/A               |



### PROPERTIES:

- FOR DECKING JOIST INSTALLATION

### DESCRIPTION:

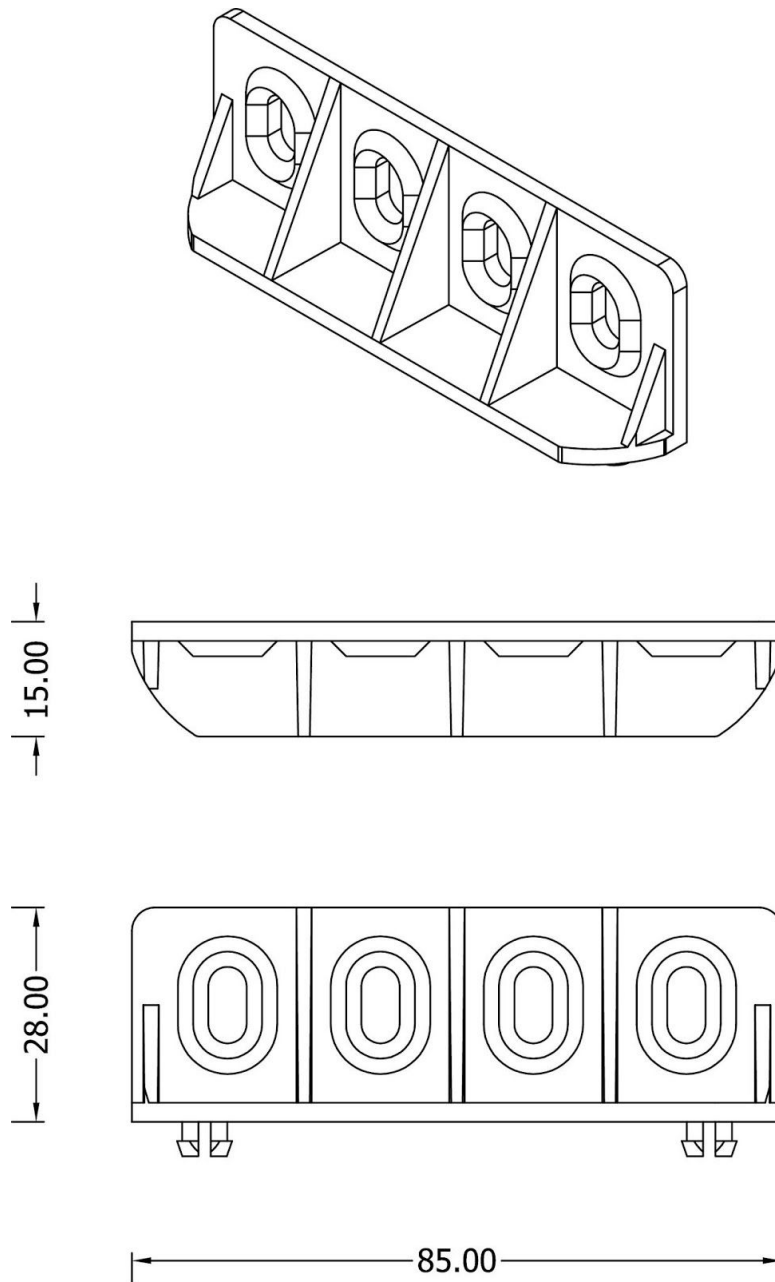
Joist adapter is mounted on the top pedestals plate. Adapter allows to easy and fast decking joist installation. Joists are firmly connected to pedestals and not moving while terrace installation <sup>2</sup>

<sup>1,2</sup> - (detailed information in Technical Specification)

## DATA LOGISTIC

| CARTON BOX |                 |              |               | PALLET    |                 |              |               |
|------------|-----------------|--------------|---------------|-----------|-----------------|--------------|---------------|
| SIZE [CM.] | QUANTITY [PCS.] | WEIGHT NETTO | WEIGHT BRUTTO | SIZE [CM] | QUANTITY [PCS.] | WEIGHT NETTO | WEIGHT BRUTTO |
| --         | --              | --           | --            | --        | --              | --           | --            |

## MEASUREMENTS

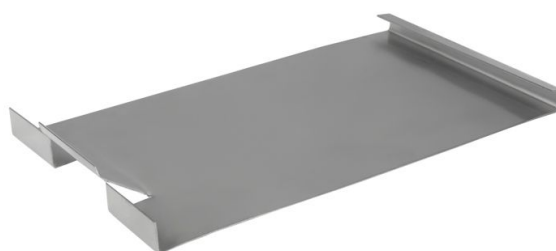


## PRODUCT DATA SHEET

|                       |                             |
|-----------------------|-----------------------------|
| <b>PRODUCT NAME:</b>  | VERTICAL CLOSURE CLIP LOWER |
| <b>TRADE NAME:</b>    | DDPEDL                      |
| <b>CODE:</b>          | 10039                       |
| <b>PRODUCT GROUP:</b> | DDP ACCESSORIES             |
| <b>HS CODE:</b>       | 7318141090                  |

## TECHNICAL DATA

|                                |                 |
|--------------------------------|-----------------|
| <b>HEIGHT:</b>                 | <b>0.7 MM</b>   |
| <b>WEIGHT [kg]</b>             | 0.118           |
| <b>SIZE [mm]</b>               | 183x100x25 MM   |
| <b>COLOR</b>                   | INOX            |
| <b>MATERIAL</b>                | STAINLESS STEEL |
| <b>COMPRESSION RESISTANCE:</b> | --              |



### PROPERTIES:

- ALLOWS TO INSTAL VERTICAL CLOSURE TILE ON THE TERRACE EDGE

### DESCRIPTION:

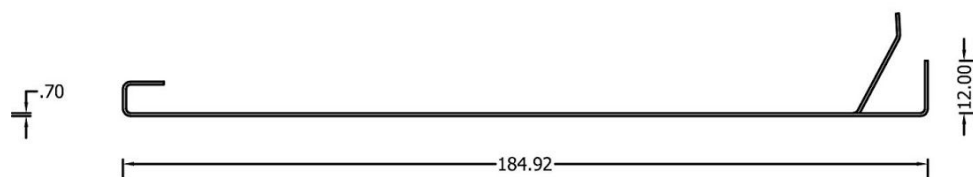
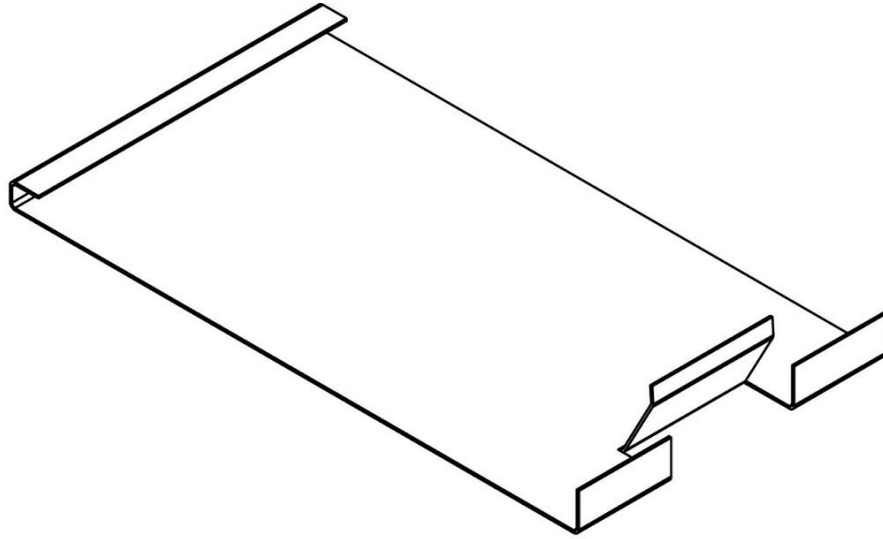
Raised terrace if not placed next to the wall has gap between the basis and it's top surface. Closing this gap was always difficult place to hide. Now we introduce our new VERTICAL CLOSURE CLIPS. Clips are designed to makes edge closures esthetic and durable. Two clips where 1st is place on the bottom of the pedestal and 2nd is placed on the top. In the profiled grip tile is placed. Every vertical tile needs to be cut internal surface. Clips are not visible. Using our clips makes easier and faster creating of the raised terrace on the pedestals.<sup>2</sup>

<sup>1,2</sup> - (detailed information in Technical Specification)

## DATA LOGISTIC

| CARTON BOX |                 |              |               | PALLET    |                 |              |               |
|------------|-----------------|--------------|---------------|-----------|-----------------|--------------|---------------|
| SIZE [CM.] | QUANTITY [PCS.] | WEIGHT NETTO | WEIGHT BRUTTO | SIZE [CM] | QUANTITY [PCS.] | WEIGHT NETTO | WEIGHT BRUTTO |
| --         | --              | --           | --            | --        | --              | --           | --            |

## MEASUREMENTS



## PRODUCT DATA SHEET

|                       |                             |
|-----------------------|-----------------------------|
| <b>PRODUCT NAME:</b>  | VERTICAL CLOSURE CLIP UPPER |
| <b>TRADE NAME:</b>    | DDPEDU                      |
| <b>CODE:</b>          | 10040                       |
| <b>PRODUCT GROUP:</b> | DDP ACCESSORIES             |
| <b>HS CODE:</b>       | 7318141090                  |

## TECHNICAL DATA

|                                |                 |
|--------------------------------|-----------------|
| <b>HEIGHT:</b>                 | <b>0.7 MM</b>   |
| <b>WEIGHT [kg]</b>             | 0.095           |
| <b>SIZE [mm]</b>               | 155x100x30 MM   |
| <b>COLOR</b>                   | INOX            |
| <b>MATERIAL</b>                | STAINLESS STEEL |
| <b>COMPRESSION RESISTANCE:</b> | --              |



### PROPERTIES:

- ALLOWS TO INSTAL VERTICAL CLOSURE TILE ON THE TERRACE EDGE

### DESCRIPTION:

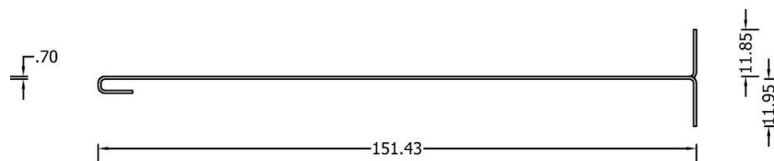
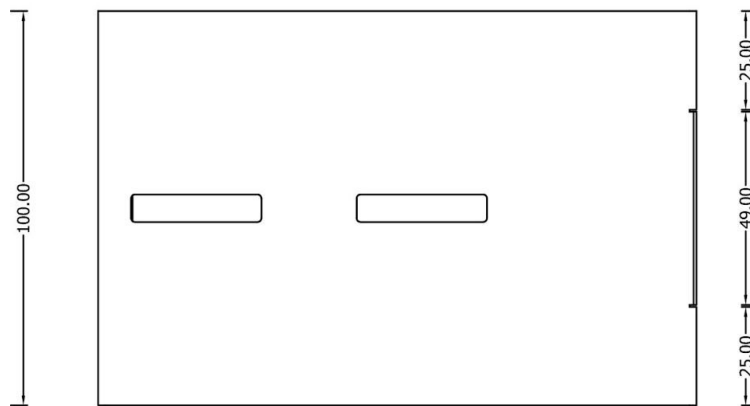
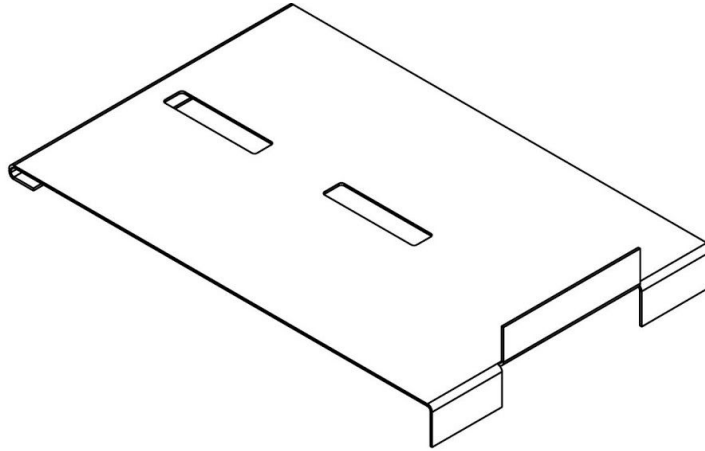
Raised terrace if not placed next to the wall has gap between the basis and it's top surface. Closing this gap was always difficult place to hide. Now we introduce our new VERTICAL CLOSURE CLIPS. Clips are designed to makes edge closures esthetic and durable. Two clips where 1st is place on the bottom of the pedestal and 2nd is placed on the top. In the profiled grip tile is placed. Every vertical tile needs to be cut internal surface. Clips are not visible. Using our clips makes easier and faster creating of the raised terrace on the pedestals.<sup>2</sup>

<sup>1,2</sup> - (detailed information in Technical Specification)

## DATA LOGISTIC

| CARTON BOX |                 |              |               | PALLET    |                 |              |               |
|------------|-----------------|--------------|---------------|-----------|-----------------|--------------|---------------|
| SIZE [CM.] | QUANTITY [PCS.] | WEIGHT NETTO | WEIGHT BRUTTO | SIZE [CM] | QUANTITY [PCS.] | WEIGHT NETTO | WEIGHT BRUTTO |
| --         | --              | --           | --            | --        | --              | --           | --            |

## MEASUREMENTS





## PRODUCT DATA SHEET

**PRODUCT NAME:** EDGE SPACER CLIP  
**TRADE NAME:** DDPWA  
**CODE:** 10042  
**PRODUCT GROUP:** DDP ACCESSORIES  
**HS CODE:** 7318141090

## TECHNICAL DATA

**HEIGHT:** **0.7 MM**  
**WEIGHT [kg]** 0.07  
**SIZE [mm]** 162x70x25  
**COLOR** INOX  
**MATERIAL** STAINLESS STEEL  
**COMPRESSION RESISTANCE:** --



### PROPERTIES:

- CREATE DISTANCE BETWEEN LAST TILE OF THE TERRACE AND WALL

### DESCRIPTION:

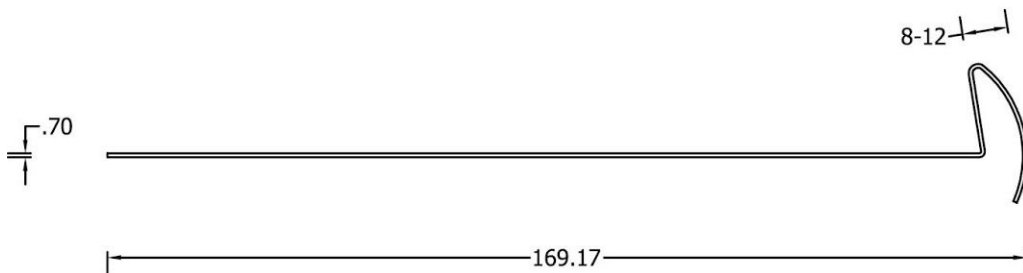
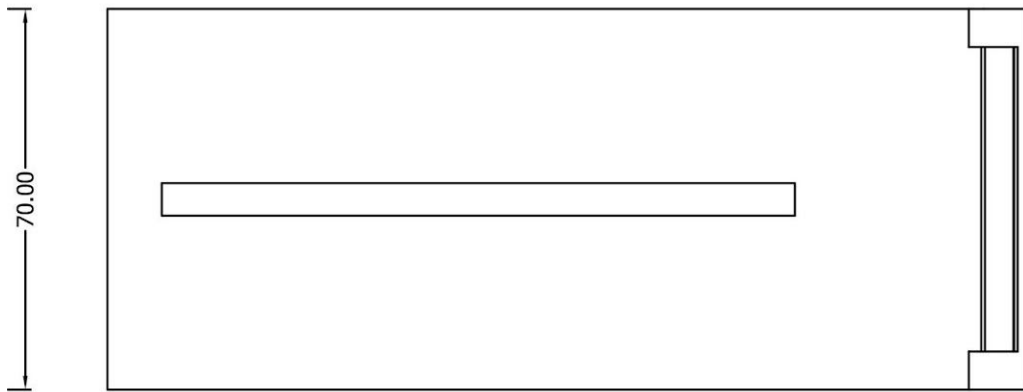
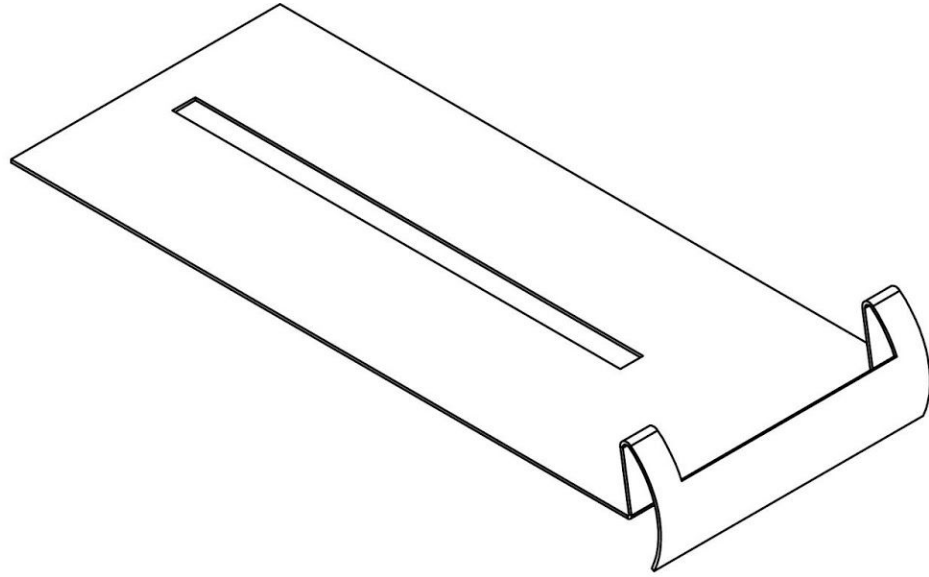
Space clip to usage whenever You need to have gap between terrace surface and border wall. Distance clips allow to make safe separation between wall and terrace. Clips allows to change gap width according to expandibility of the terrace material during years. Gap width adjustable from 12-4 mm.<sup>2</sup>

<sup>1,2</sup> - (detailed information in Technical Specification)

## DATA LOGISTIC

| CARTON BOX |                 |              |               | PALLET    |                 |              |               |
|------------|-----------------|--------------|---------------|-----------|-----------------|--------------|---------------|
| SIZE [CM.] | QUANTITY [PCS.] | WEIGHT NETTO | WEIGHT BRUTTO | SIZE [CM] | QUANTITY [PCS.] | WEIGHT NETTO | WEIGHT BRUTTO |
| --         | --              | --           | --            | --        | --              | --           | --            |

## MEASUREMENTS



## PRODUCT DATA SHEET

|                       |                               |
|-----------------------|-------------------------------|
| <b>PRODUCT NAME:</b>  | HEIGHT COUPLER DS 100 MM      |
| <b>TRADE NAME:</b>    | DDP 120-220                   |
| <b>CODE:</b>          | 10038                         |
| <b>PRODUCT GROUP:</b> | ADJUSTABLE PEDESTALS STANDARD |
| <b>HS CODE:</b>       | 39259080                      |

## TECHNICAL DATA

|                                |                     |
|--------------------------------|---------------------|
| <b>HEIGHT:</b>                 | <b>100 MM</b>       |
| <b>WEIGHT [kg]</b>             | 0.127               |
| <b>SIZE [mm]</b>               | Ø 100 MM            |
| <b>COLOR</b>                   | BLACK               |
| <b>MATERIAL</b>                | PP                  |
| <b>COMPRESSION RESISTANCE:</b> | 400 kg <sup>1</sup> |



### PROPERTIES:

- Height extender for standard Pedestals 100 MM, Fit into 045-070, 070-120, 120-220

### DESCRIPTION:

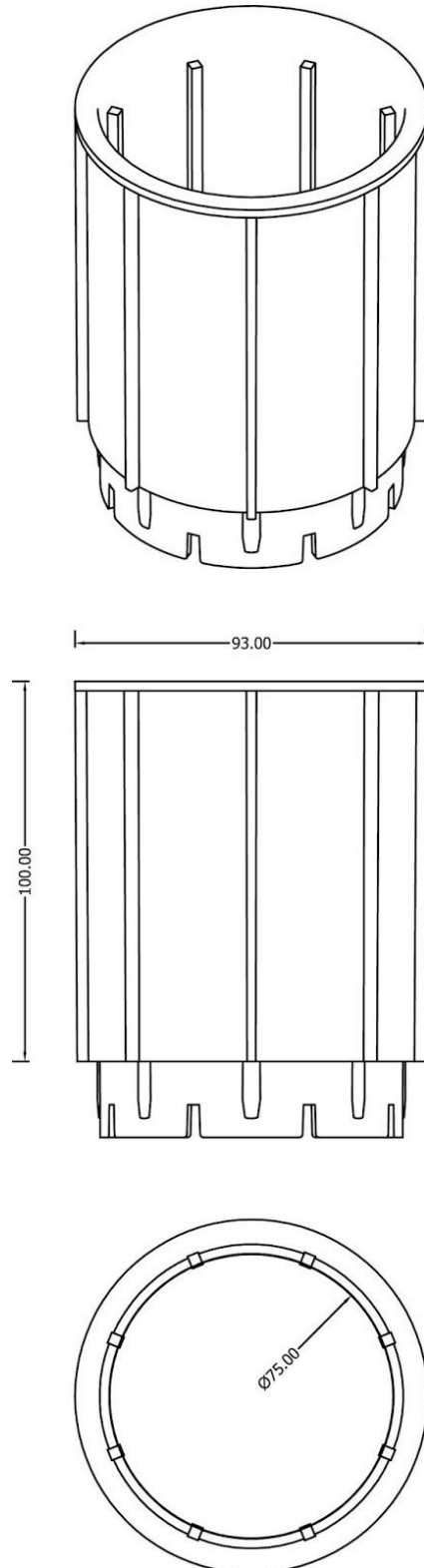
Extension element to the standard adjustable pedestals - height coupler. Whenever need to raise terrace more than standard height of adjustable pedestal DDP04 maximum 220 mm height coupler can be used. Putting one height coupler into adjustable pedestal base and than screw with ring into the coupler makes pedestal higher 100 mm. Fast and easy solution for expanding height range of the pedestals. Maximum recommended height of the pedestals is 420 mm (2 height couples DS 100 mm).<sup>2</sup>

<sup>1,2</sup> - (detailed information in Technical Specification)

## DATA LOGISTIC

| CARTON BOX |                 |              |               | PALLET      |                 |              |               |
|------------|-----------------|--------------|---------------|-------------|-----------------|--------------|---------------|
| SIZE [CM.] | QUANTITY [PCS.] | WEIGHT NETTO | WEIGHT BRUTTO | SIZE [CM]   | QUANTITY [PCS.] | WEIGHT NETTO | WEIGHT BRUTTO |
| 60X50X40   | 100             | 12,7         | 13,8          | 120X100X220 | 2000            | 254          | 276           |

## MEASUREMENTS



## PRODUCT DATA SHEET

|                       |                        |
|-----------------------|------------------------|
| <b>PRODUCT NAME:</b>  | GAP SPACERS            |
| <b>TRADE NAME:</b>    | L3 L5                  |
| <b>CODE:</b>          | L3 - 10167, L5 - 10168 |
| <b>PRODUCT GROUP:</b> | DDP ACCESSORIES        |
| <b>HS CODE:</b>       | 39259080               |

## TECHNICAL DATA

|                                |   |
|--------------------------------|---|
| <b>HEIGHT:</b>                 | <b>N/A</b>  |
| <b>WEIGHT [kg]</b>             | 3 MM - 0,11 kg / 100 szt.,<br>5 MM - 0,16 kg / 100 szt. |
| <b>SIZE [mm]</b>               | 3 MM - 11x25, 5 MM - 17x25                              |
| <b>COLOR</b>                   | czarny  |
| <b>MATERIAL</b>                | PP  |
| <b>COMPRESSION RESISTANCE:</b> | N/A   |



### PROPERTIES:

- Gap spacers creates gap between tiles with 3 or 5 mm width.

### DESCRIPTION:

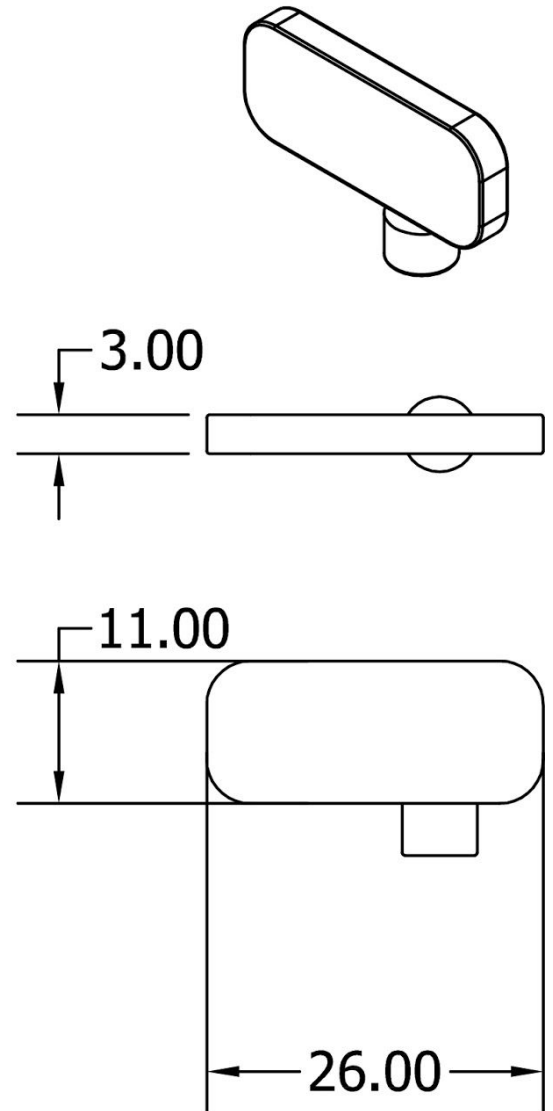
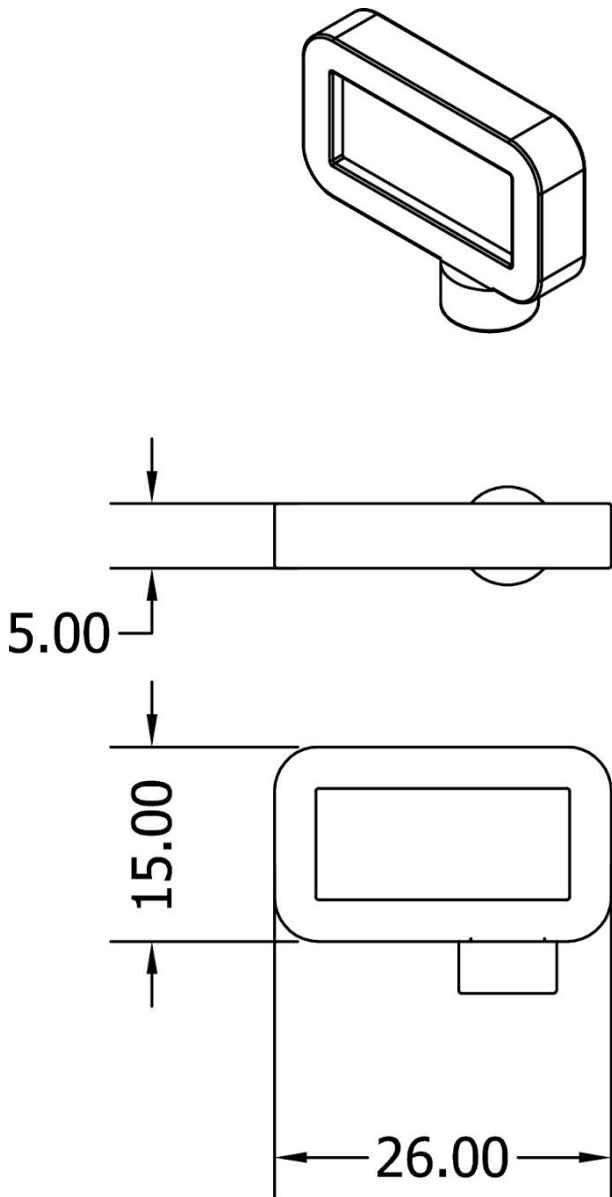
Movable gap spacers with 3 and 5 mm thickness; create distance between tiles. Mountable on click in pedestal head holes. Compatible with pedestals SPIRAL, STANDARD, MAX, FIXED HEIGHT SUPPORT PADS. <sup>2</sup>

<sup>1,2</sup> - (detailed information in Technical Specification)

## DATA LOGISTIC

| CARTON BOX |                 |              |               | PALLET    |                 |              |               |
|------------|-----------------|--------------|---------------|-----------|-----------------|--------------|---------------|
| SIZE [CM.] | QUANTITY [PCS.] | WEIGHT NETTO | WEIGHT BRUTTO | SIZE [CM] | QUANTITY [PCS.] | WEIGHT NETTO | WEIGHT BRUTTO |
| --         | --              | --           | --            | --        | --              | --           | --            |

**MEASUREMENTS**



## PRODUCT DATA SHEET

|                       |                                  |
|-----------------------|----------------------------------|
| <b>PRODUCT NAME:</b>  | SELF LEVELING HEAD LE 0-7% 16 MM |
| <b>TRADE NAME:</b>    | LE STANDARD                      |
| <b>CODE:</b>          | 10170                            |
| <b>PRODUCT GROUP:</b> | ADJUSTABLE PEDESTALS STANDARD    |
| <b>HS CODE:</b>       | 39259080                         |

## TECHNICAL DATA

|                                |                           |
|--------------------------------|---------------------------|
| <b>HEIGHT:</b>                 | <b>16 MM</b>              |
| <b>WEIGHT [kg]</b>             | 0.085                     |
| <b>SIZE [mm]</b>               | HEAD DIAMETER<br>Ø 105 MM |
| <b>COLOR</b>                   | BLACK                     |
| <b>MATERIAL</b>                | PP                        |
| <b>COMPRESSION RESISTANCE:</b> | 400 kg <sup>1</sup>       |
| <b>PHOTOS:</b>                 | <a href="#">link</a>      |
| <b>DOCUMENTS:</b>              | <a href="#">link</a>      |



### PROPERTIES:

- 16 MM HEIGHT, 0-7% GRADIENT CORRECTION, 5MM AND 3 MM SPACER, ADAPTERS COMPATIBLE

### DESCRIPTION:

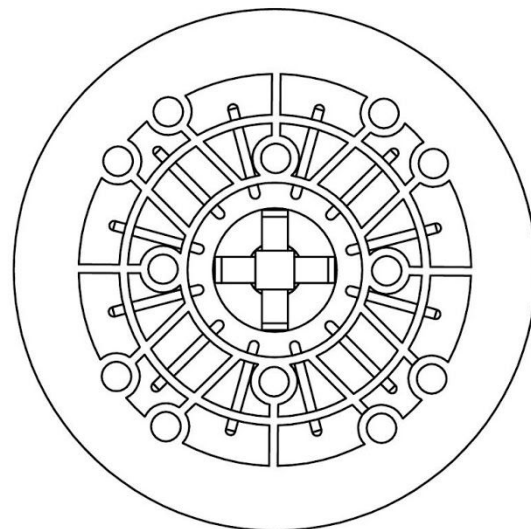
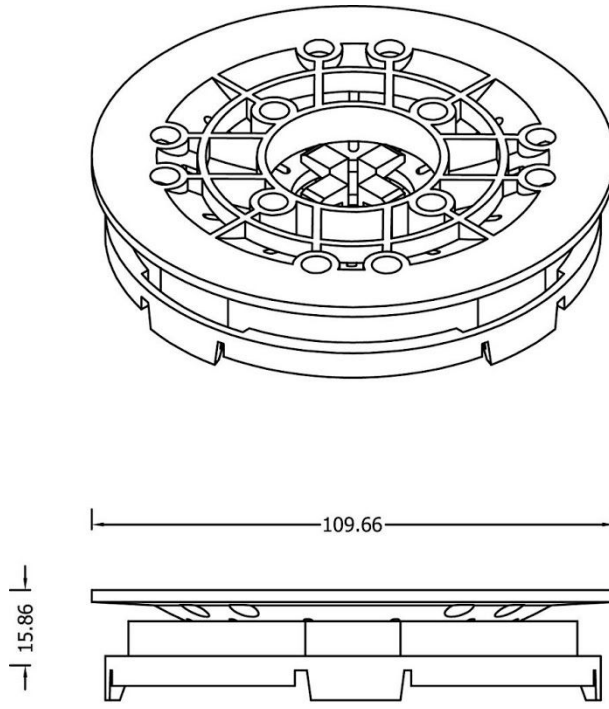
The self levelling head of DD PEDESTALS allows to automacally compensate any slope up to 7%. This is big advantage when terrace basis is slope and You need to achieve flat terrace. Self leveling height element is additional 16 mm to the pedestal height.<sup>2</sup>

<sup>1,2</sup> - (detailed information in Technical Specification)

## DATA LOGISTIC

| CARTON BOX |                 |              |               | PALLET      |                 |              |               |
|------------|-----------------|--------------|---------------|-------------|-----------------|--------------|---------------|
| SIZE [CM.] | QUANTITY [PCS.] | WEIGHT NETTO | WEIGHT BRUTTO | SIZE [CM]   | QUANTITY [PCS.] | WEIGHT NETTO | WEIGHT BRUTTO |
| 60X50X40   | 250             | 21,25        | 22,35         | 120X100X220 | 5000            | 425          | 447           |

## MEASUREMENTS



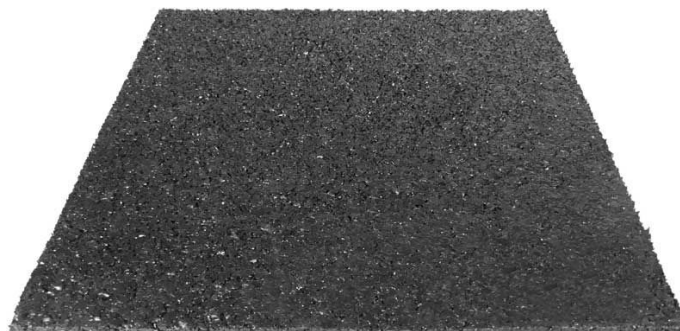


## PRODUCT DATA SHEET

|                       |                             |
|-----------------------|-----------------------------|
| <b>PRODUCT NAME:</b>  | SBR RUBBER PAD              |
| <b>TRADE NAME:</b>    | SBR200                      |
| <b>CODE:</b>          | 10295 - 5 MM, 10293 - 10 MM |
| <b>PRODUCT GROUP:</b> | DDP ACCESSORIES             |
| <b>HS CODE:</b>       | 4016930090                  |

## TECHNICAL DATA

|                                |                                      |
|--------------------------------|--------------------------------------|
| <b>HEIGHT:</b>                 | <b>5 MM / 10 MM</b>                  |
| <b>WEIGHT [kg]</b>             | 5 MM - 0,280 kg,<br>10 MM - 0,530 kg |
| <b>SIZE [mm]</b>               | 200x200                              |
| <b>COLOR</b>                   | BLACK                                |
| <b>MATERIAL</b>                | SBR                                  |
| <b>COMPRESSION RESISTANCE:</b> | --                                   |



### PROPERTIES:

- ELASTIC, ANTI NOISE, PROTECTION FOR ISOLATION

### DESCRIPTION:

Protection pads allow to use it as barrier between adjustable pedestals and basis of the terrace ( membrane ). Suggested to use when vulcanizing between layers of the pedestal and roof is possible (bituminous membrane). Protection pads gives additional anti noise for the whole terrace construction. Rubber pads are not absorbing water and humidity and has good anti slip attribute..<sup>2</sup>

<sup>1,2</sup> - (detailed information in Technical Specification)

## DATA LOGISTIC

| CARTON BOX |                 |              |               | PALLET    |                 |              |               |
|------------|-----------------|--------------|---------------|-----------|-----------------|--------------|---------------|
| SIZE [CM.] | QUANTITY [PCS.] | WEIGHT NETTO | WEIGHT BRUTTO | SIZE [CM] | QUANTITY [PCS.] | WEIGHT NETTO | WEIGHT BRUTTO |
| --         | --              | --           | --            | --        | --              | --           | --            |

## MEASUREMENTS

