

ADJUSTABLE PEDESTALS FOR PAVING AND DECKING

STANDARD SERIES

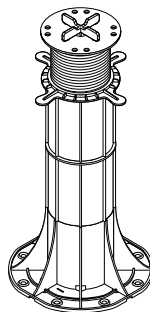
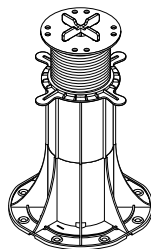
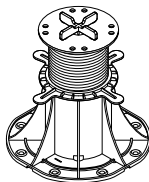
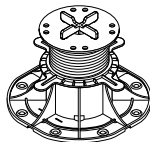
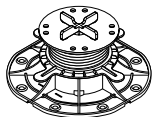
QUICK START MANUAL



Detailed instruction manual available to download on our website:

www.ddgro.eu/en

HEIGHT RANGE (MANUAL HEIGHT ADJUSTMENT):



STANDARD 030-045

from 30 mm
to 45 mm
(1 3/16" - 1 3/4")

STANDARD 045-070

from 45 mm
to 70 mm
(1 3/4" - 2 3/4")

STANDARD 070-120

from 70 mm
to 120 mm
(2 3/4" - 4 3/4")

STANDARD 120-220

from 120 mm
to 220 mm
(4 3/4" - 8 5/8")

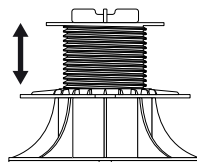
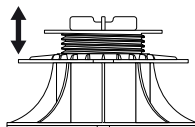
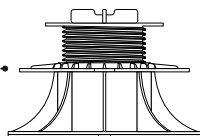
STANDARD 220-320

from 220 mm
to 320 mm
(8 5/8" - 12 3/5")

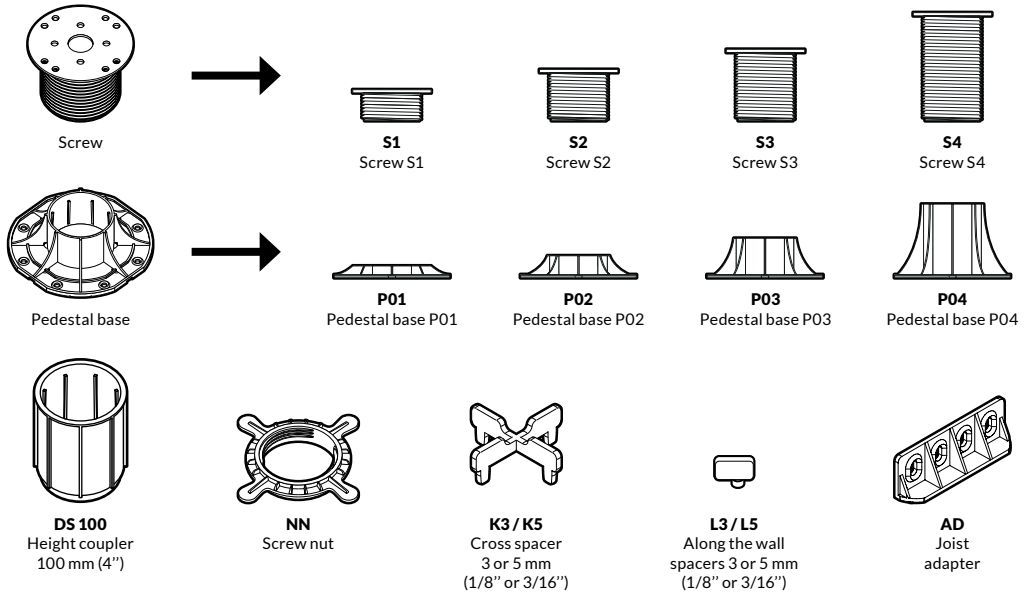
STANDARD 320-420

from 320 mm
to 420 mm
(12 3/5" - 16 1/2")

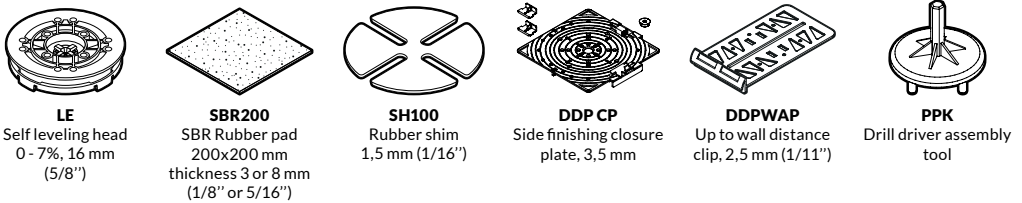
PEDESTAL HEIGHT REGULATION:



PEDESTAL ELEMENTS:



ADDITIONAL ACCESSORIES:

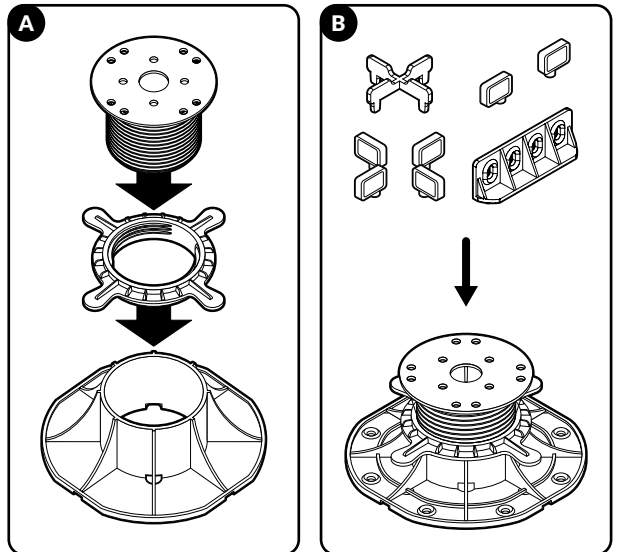


PEDESTALS ASSEMBLY:

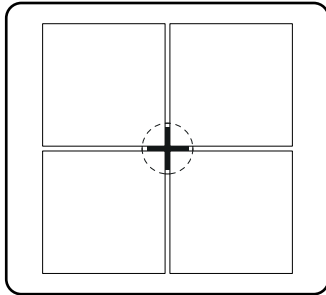
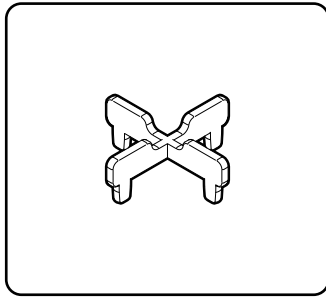
To achieve desired height please see below which element You need to assembly together (A):

- DDP 030-045 = **P01 + NN + S1**
- DDP 045-070 = **P02 + NN + S2**
- DDP 070-120 = **P03 + NN + S3**
- DDP 120-220 = **P04 + NN + S4**
- DDP 220-320 = **P04 + 1×DS 100 + NN + S4**
- DDP 320-420 = **P04 + 2×DS 100 + NN + S4**

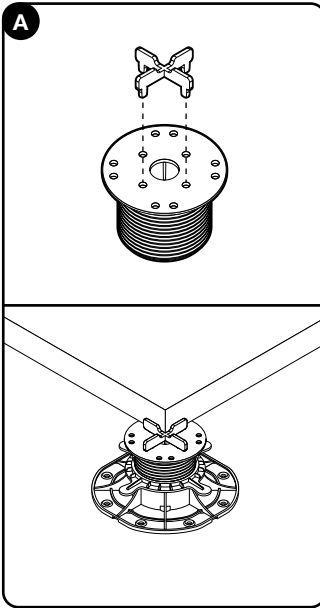
Depend on type of the terrace surface (tiles or decking) choose right pedestal head finish. For tiles **K3/K5** (**L3/L5** along the wall) and for decking joist adapter **AD** (B).



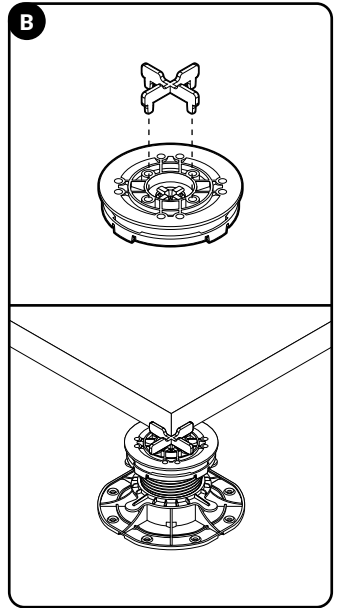
PEDESTAL SUPPORT 4 TILES CORNERS - USE CROSS SPACERS FOR TILES:



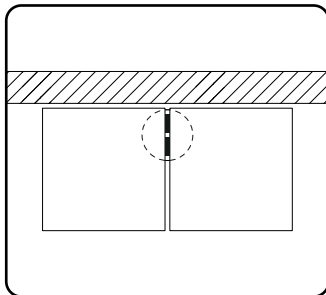
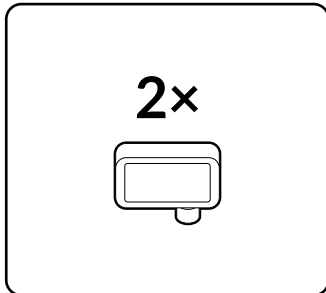
SCREW



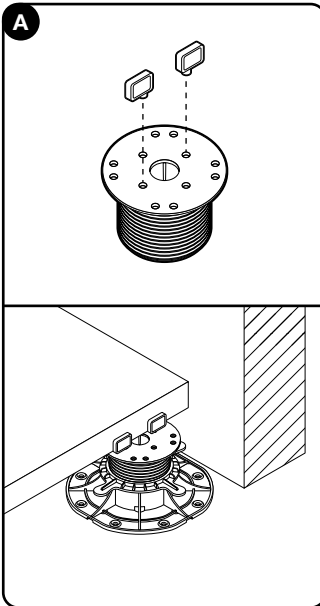
SELF LEVELING HEAD



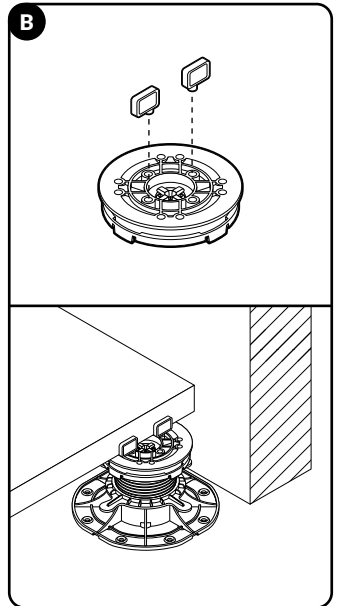
PEDESTAL ALONG THE WALL - USE INDIVIDUAL SPACERS:



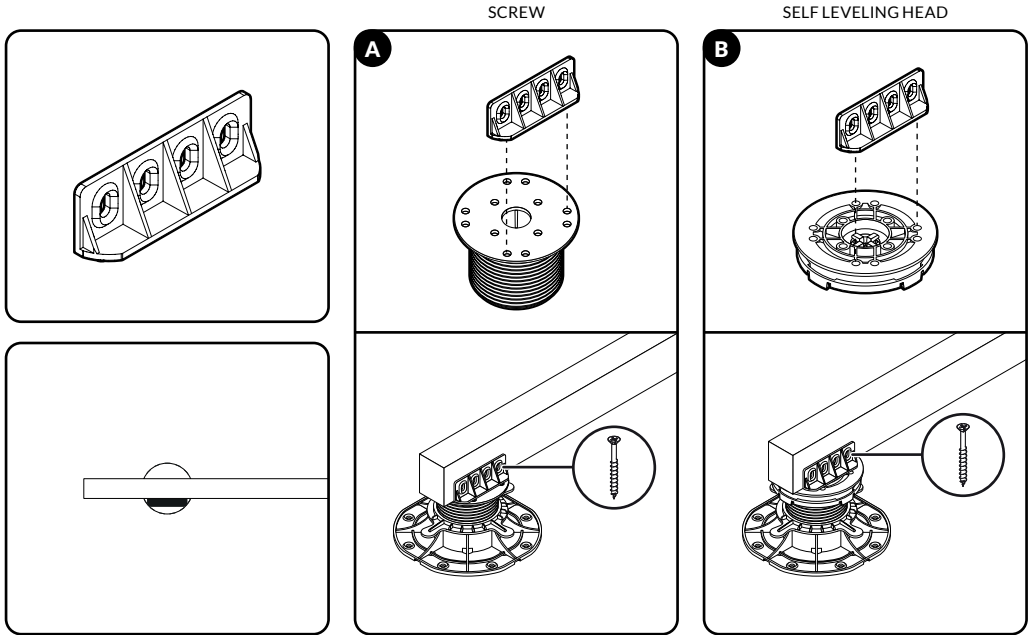
SCREW



SELF LEVELING HEAD



PEDESTALS FOR DECKING - USE JOIST ADAPTER:



ADDITIONAL ACCESSORIES NEEDED DEPEND ON PROJECT TYPE:

- A)** Solid flat surface (e.g. concrete, wood, stone etc.) additional accessories will not be needed. (A). We recommend to use rubber shim between tile and pedestal.
- B)** Sensitive flat surface (e.g. roofing asphalt, water membranes, XPS ect.) we recommend using an additional protection underneath pedestal - rubber protection pad (B).
- C)** For solid and sensitive sloped surfaces, we recommend using self-leveling head (C). Additionally, a rubber protection pad can be placed under the pedestal to reinforce sensitive surface protection and acoustic isolation.
- D)** Terrace requires permanent pedestals attached to the bottom surface (D). There is an option to plug the bottom part of the pedestal with anchor plugs. (Remember to avoid damaging the water protection membrane.)

