

PRODUCT DATA SHEET

| | |
|-----------------------|------------------------------------|
| PRODUCT NAME: | ADJUSTABLE PEDESTAL MAX 150-350 MM |
| TRADE NAME: | DDP MAX 150-350 |
| CODE: | |
| PRODUCT GROUP: | ADJUSTABLE PEDESTALS MAX |
| HS CODE: | 39259080 |

TECHNICAL DATA

| | |
|--------------------------------|----------------------------|
| HEIGHT: | 150-350 MM |
| WEIGHT [kg] | 0.77 |
| SIZE [mm] | BASE Ø210 MM, HEAD Ø145 MM |
| COLOR | BLACK |
| MATERIAL | PP |
| COMPRESSION RESISTANCE: | 1200 kg ¹ |



PROPERTIES:

- stepless height regulation,
- movable spacer discs D3, D5 and gap spacers 3 and 5 MM,
- joist adapter,
- version V0 SELF-EXTINGUISHING available (this parameter is optional)

DESCRIPTION:

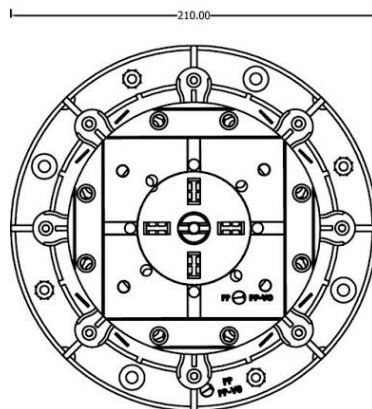
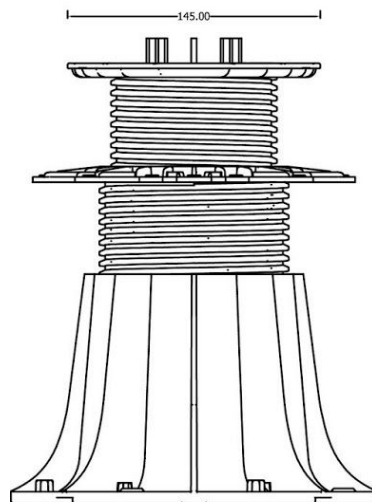
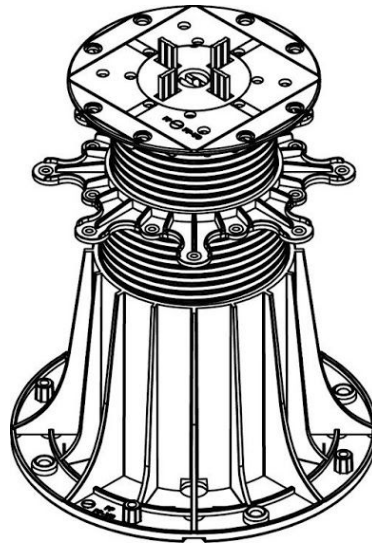
The new series of adjustable pedestals DDP MAX is an answer for high demanded projects where with non compromise quality and durability of the outdoor terrace patio must be on highest level. Adjustable MAX pedestals series can be used with most advanced realisations of external raised deck and patios. With height level up to 950 MM there is no limit with making a terrace on adjustable pedestals. Bigger, better, stronger is words which best describe MAX pedestals series. Read more below and see all advantages and benefits of MAX pedestals which You can now use in your business. It is common that some project has bigger demands than the others. Depend on final purpose of terrace on adjustable pedestals You are using diff erent materials. The same situa! on is with substructure as pedestals. There are some type of projects as public space, urban interactive fountains, high external terraces which needs something bigger for a support. ²

^{1,2} - (detailed information in Technical Specification)

DATA LOGISTIC

| CARTON BOX | | | | PALLET | | | |
|------------|-----------------|--------------|---------------|-------------|-----------------|--------------|---------------|
| SIZE [CM.] | QUANTITY [PCS.] | WEIGHT NETTO | WEIGHT BRUTTO | SIZE [CM] | QUANTITY [PCS.] | WEIGHT NETTO | WEIGHT BRUTTO |
| 60X50X40 | 18 | 13,91 | 15,01 | 120X100X220 | 360 | 278,2 | 300,2 |

MEASUREMENTS

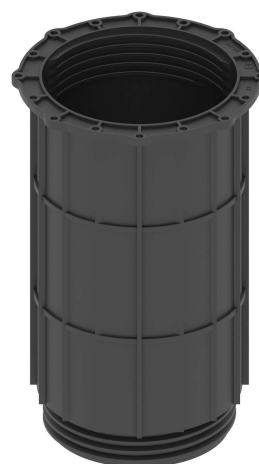


PRODUCT DATA SHEET

| | |
|-----------------------|------------------------------|
| PRODUCT NAME: | MAX HEIGHT COUPLER DS 200 MM |
| TRADE NAME: | MAX DS 200 |
| CODE: | |
| PRODUCT GROUP: | ADJUSTABLE PEDESTALS MAX |
| HS CODE: | 39259080 |

TECHNICAL DATA

| | |
|--------------------------------|----------------------|
| HEIGHT: | 200 MM |
| WEIGHT [kg] | 0,29 |
| SIZE [mm] | Ø 143 MM |
| COLOR | BLACK |
| MATERIAL | PP |
| COMPRESSION RESISTANCE: | 1000 kg ¹ |



PROPERTIES:

- Height extender for MAX Pedestals

DESCRIPTION:

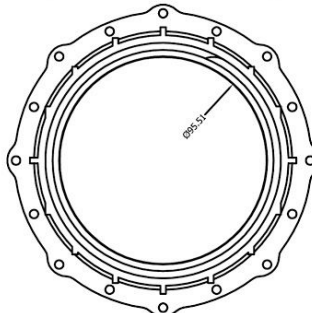
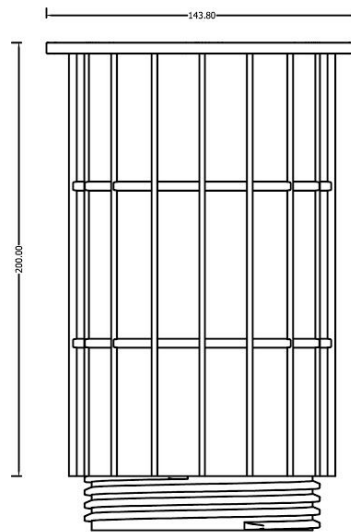
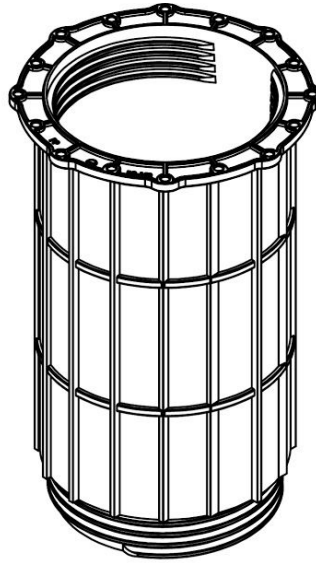
Extension element to the standard adjustable pedestals - height coupler. Whenever need to raise terrace more than standard height of adjustable pedestal MAX height coupler can be used. Putting one height coupler into adjustable pedestal base and than screw with ring into the coupler makes pedestal higher 200 mm. Fast and easy solution for expanding height range of the pedestals. Maximum recommended height of the pedestals is 750-950 MM (3 height couplers MAX DS 200 mm).²

^{1,2} - (detailed information in Technical Specification)

DATA LOGISTIC

| CARTON BOX | | | | PALLET | | | |
|------------|-----------------|--------------|---------------|-------------|-----------------|--------------|---------------|
| SIZE [CM.] | QUANTITY [PCS.] | WEIGHT NETTO | WEIGHT BRUTTO | SIZE [CM] | QUANTITY [PCS.] | WEIGHT NETTO | WEIGHT BRUTTO |
| 60X50X40 | 30 | 8,7 | 9,7 | 120X100X220 | 600 | 174 | 214 |

MEASUREMENTS



PRODUCT DATA SHEET

PRODUCT NAME: MAX SELF LEVELING HEAD 0-6%
TRADE NAME: DDP MAX LE
CODE:
PRODUCT GROUP: ADJUSTABLE PEDESTALS MAX
HS CODE: 39259080

TECHNICAL DATA

HEIGHT: **20 MM**
WEIGHT [kg] 0,15
SIZE [mm] 157 MM
COLOR BLACK
MATERIAL PP
COMPRESSION RESISTANCE: 1200 kg ¹



PROPERTIES:

- self leveling head 0-6%

DESCRIPTION:

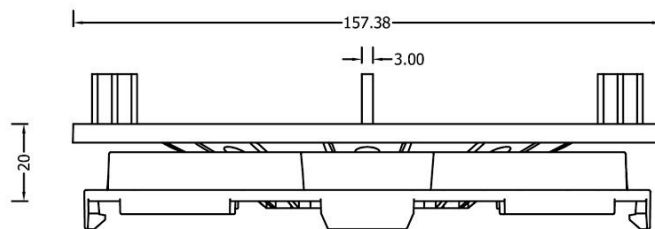
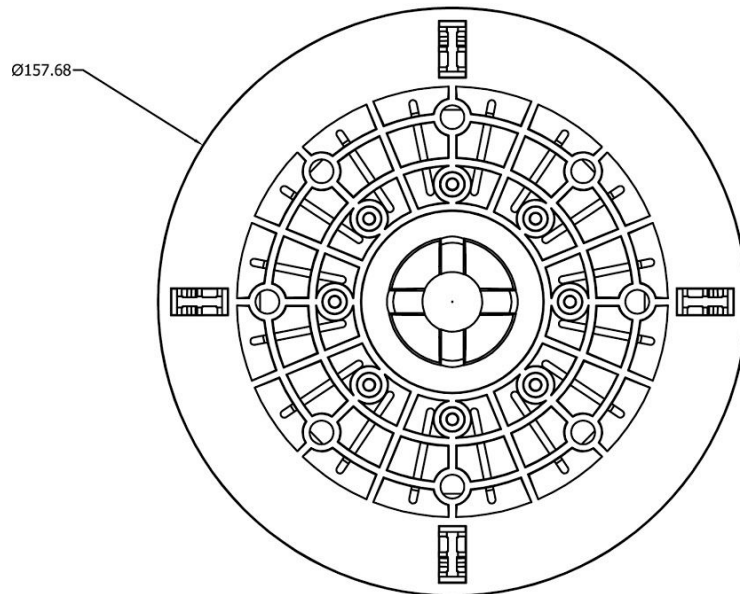
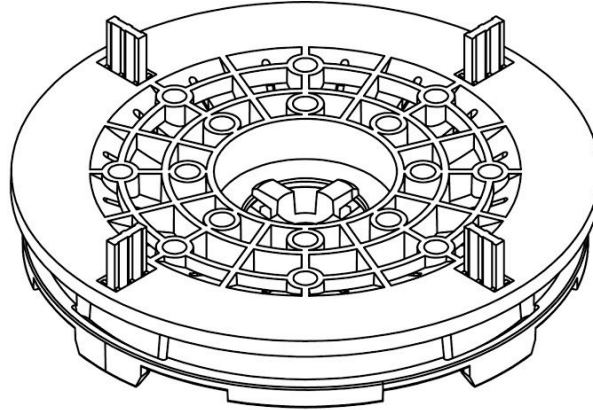
SELF-LEVELING HEADS MAX 19MM 6% consisting of a lower and upper part, whose gyrosopic structure allows the upper part of the head to automatically adjust to the floor level in the range of 0-7% of the slope The self-leveling head has an additional height of 20 mm. ²

^{1,2} - (detailed information in Technical Specification)

DATA LOGISTIC

| CARTON BOX | | | | PALLET | | | |
|------------|-----------------|--------------|---------------|-------------|-----------------|--------------|---------------|
| SIZE [CM.] | QUANTITY [PCS.] | WEIGHT NETTO | WEIGHT BRUTTO | SIZE [CM] | QUANTITY [PCS.] | WEIGHT NETTO | WEIGHT BRUTTO |
| 60X50X40 | 100 | 15,00 | 16,1 | 120X100X220 | 1200 | 300 | 322,00 |

MEASUREMENTS



PRODUCT DATA SHEET

PRODUCT NAME: MAX SLOPE CORRECTOR SC
TRADE NAME: DDP MAX SC
CODE:
PRODUCT GROUP: ADJUSTABLE PEDESTALS MAX
HS CODE: 39259080

TECHNICAL DATA

HEIGHT: **16 MM**
WEIGHT [kg] 0,21
SIZE [mm] 219 MM
COLOR BLACK
MATERIAL PP
COMPRESSION RESISTANCE: 1200 kg ¹



PROPERTIES:

- stepless slope regulation 0-8 %

DESCRIPTION:

16MM BASE SLOP CORRECTOR 8%

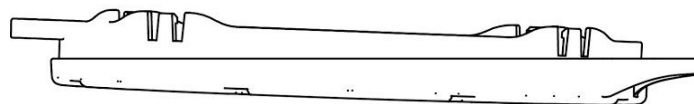
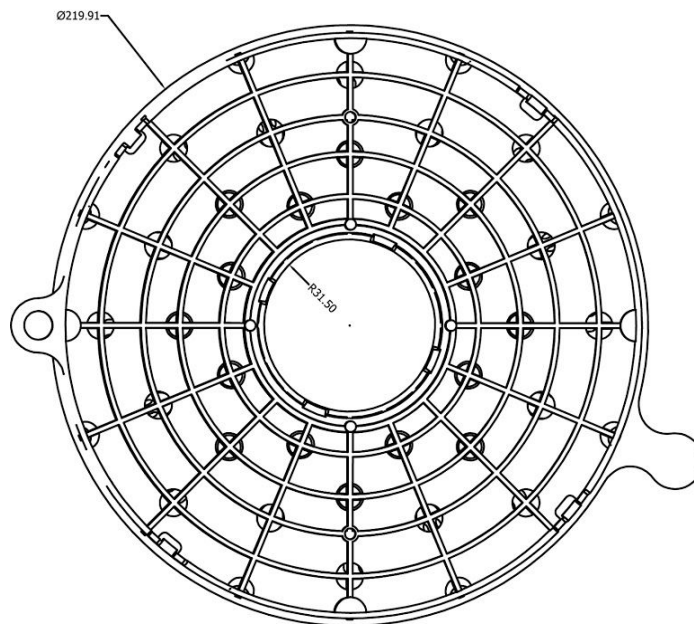
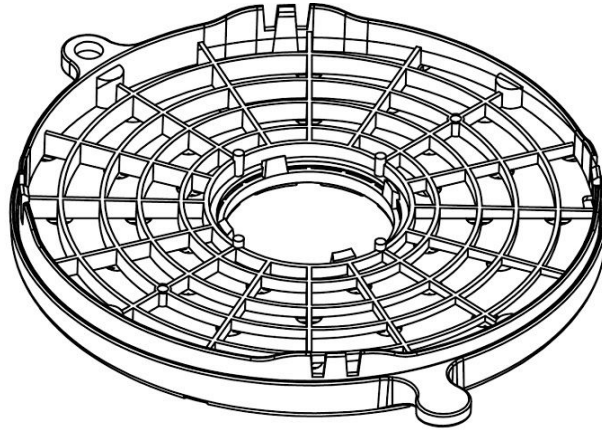
SC MAX base inclination corrector whose wedge construction allows by rotating the lower and upper halves to align the support axis in the range of 0-5% of the slope. The additional height of the slope corrector is 16 mm. ²

^{1,2} - (detailed information in Technical Specification)

DATA LOGISTIC

| CARTON BOX | | | | PALLET | | | |
|------------|-----------------|--------------|---------------|-------------|-----------------|--------------|---------------|
| SIZE [CM.] | QUANTITY [PCS.] | WEIGHT NETTO | WEIGHT BRUTTO | SIZE [CM] | QUANTITY [PCS.] | WEIGHT NETTO | WEIGHT BRUTTO |
| 60X50X40 | 60 | 12,60 | 13,70 | 120X100X220 | 1200 | 2520,00 | 274,00 |

MEASUREMENTS

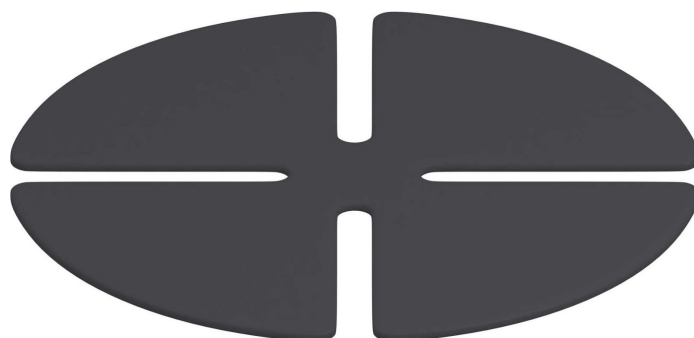


PRODUCT DATA SHEET

| | |
|-----------------------|--------------------------|
| PRODUCT NAME: | RUBBER SHIM SH145 1,5 MM |
| TRADE NAME: | SH145 |
| CODE: | 10314 |
| PRODUCT GROUP: | DDP ACCESSORIES |
| HS CODE: | 4016930090 |

TECHNICAL DATA

| | |
|--------------------------------|----------------------|
| HEIGHT: | 1,5 MM |
| WEIGHT [kg] | 0.02 |
| SIZE [mm] | Ø 100 MM |
| COLOR | BLACK |
| MATERIAL | SEBS |
| COMPRESSION RESISTANCE: | -- |
| PHOTOS: | link |
| DOCUMENTS: | link |



PROPERTIES:

- ELASTIC,
- ANTI-NOISE
- EXTERNAL WEATHER CONDITION RESISTANT

DESCRIPTION:

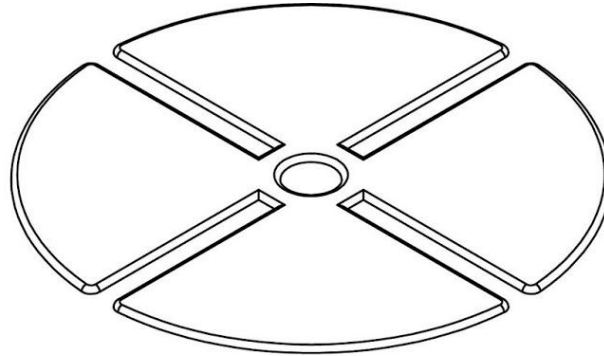
Rubber shim can be comprehensively used when making terrace with adjustable pedestals. Whenever it needs to tiles thickness adjust or make additional soundproof rubber shim are perfect solution. No more sand grain cracking under your tiles. Additional vibration absorption and noises mute.²

^{1,2} - (detailed information in Technical Specification)

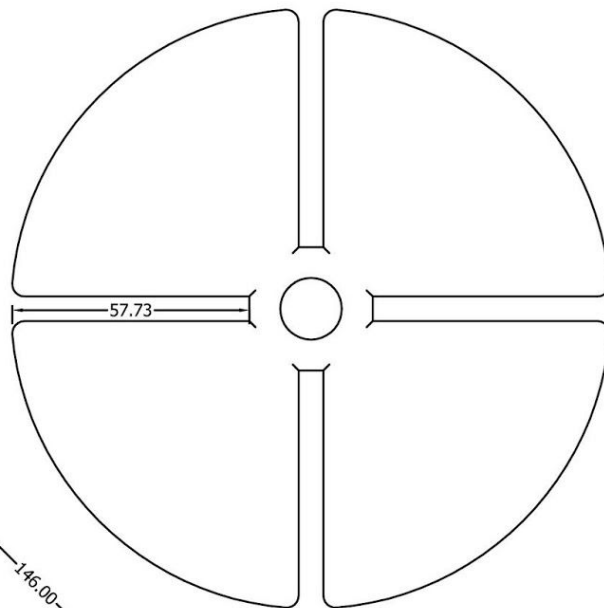
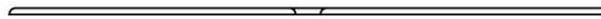
DATA LOGISTIC

| CARTON BOX | | | | PALLET | | | |
|------------|-----------------|--------------|---------------|-----------|-----------------|--------------|---------------|
| SIZE [CM.] | QUANTITY [PCS.] | WEIGHT NETTO | WEIGHT BRUTTO | SIZE [CM] | QUANTITY [PCS.] | WEIGHT NETTO | WEIGHT BRUTTO |
| -- | -- | -- | -- | -- | -- | -- | -- |

MEASUREMENTS



1.50

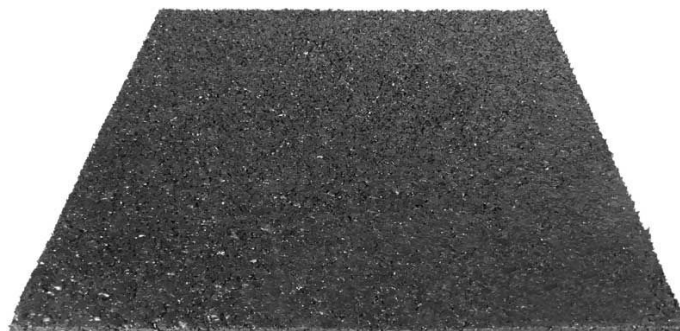


PRODUCT DATA SHEET

| | |
|-----------------------|-----------------------------|
| PRODUCT NAME: | SBR RUBBER PAD |
| TRADE NAME: | SBR200 |
| CODE: | 10295 - 5 MM, 10293 - 10 MM |
| PRODUCT GROUP: | DDP ACCESSORIES |
| HS CODE: | 4016930090 |

TECHNICAL DATA

| | |
|--------------------------------|--------------------------------------|
| HEIGHT: | 5 MM / 10 MM |
| WEIGHT [kg] | 5 MM - 0,280 kg, 10 MM - 0,530 kg |
| SIZE [mm] | 200x200 |
| COLOR | BLACK |
| MATERIAL | SBR |
| COMPRESSION RESISTANCE: | -- |



PROPERTIES:

- ELASTIC, ANTI NOISE, PROTECTION FOR ISOLATION

DESCRIPTION:

Protection pads allow to use it as barrier between adjustable pedestals and basis of the terrace (membrane). Suggested to use when vulcanizing between layers of the pedestal and roof is possible (bituminous membrane). Protection pads gives additional anti noise for the whole terrace construction. Rubber pads are not absorbing water and humidity and has good anti slip attribute..²

^{1,2} - (detailed information in Technical Specification)

DATA LOGISTIC

| CARTON BOX | | | | PALLET | | | |
|------------|-----------------|--------------|---------------|-----------|-----------------|--------------|---------------|
| SIZE [CM.] | QUANTITY [PCS.] | WEIGHT NETTO | WEIGHT BRUTTO | SIZE [CM] | QUANTITY [PCS.] | WEIGHT NETTO | WEIGHT BRUTTO |
| -- | -- | -- | -- | -- | -- | -- | -- |

MEASUREMENTS

