

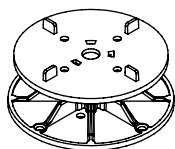
# ADJUSTABLE PEDESTALS FOR PAVERS

## ALU SERIES



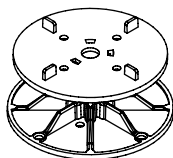
### QUICK START MANUAL

#### HEIGHT RANGE (MANUAL HEIGHT ADJUSTMENT):



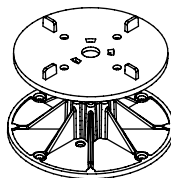
#### ALU 040-050

10991  
from **40 mm**  
to **50 mm**  
(1 4/7" - 1 15/16")



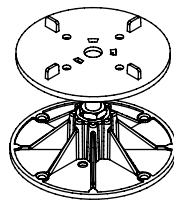
#### ALU 050-060

10992  
from **50 mm**  
to **60 mm**  
(1 15/16" - 2 1/3")



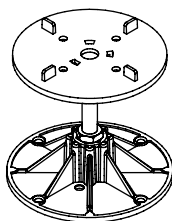
#### ALU 060-075

10993  
from **60 mm**  
to **75 mm**  
(2 1/3" - 2 15/16")



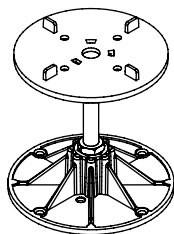
#### ALU 070-095

10994  
from **70 mm**  
to **95 mm**  
(2 3/4" - 3 3/4")



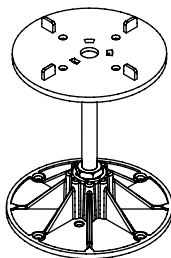
#### ALU 090-115

10995  
from **90 mm**  
to **115 mm**  
(3 1/2" - 4 1/2")



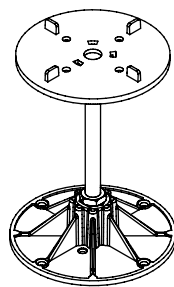
#### ALU 110-135

10996  
from **110 mm**  
to **135 mm**  
(4 1/3" - 5 5/16")



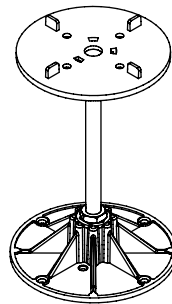
#### ALU 130-155

10997  
from **130 mm**  
to **155 mm**  
(5 1/8" - 6 1/10")



#### ALU 150-175

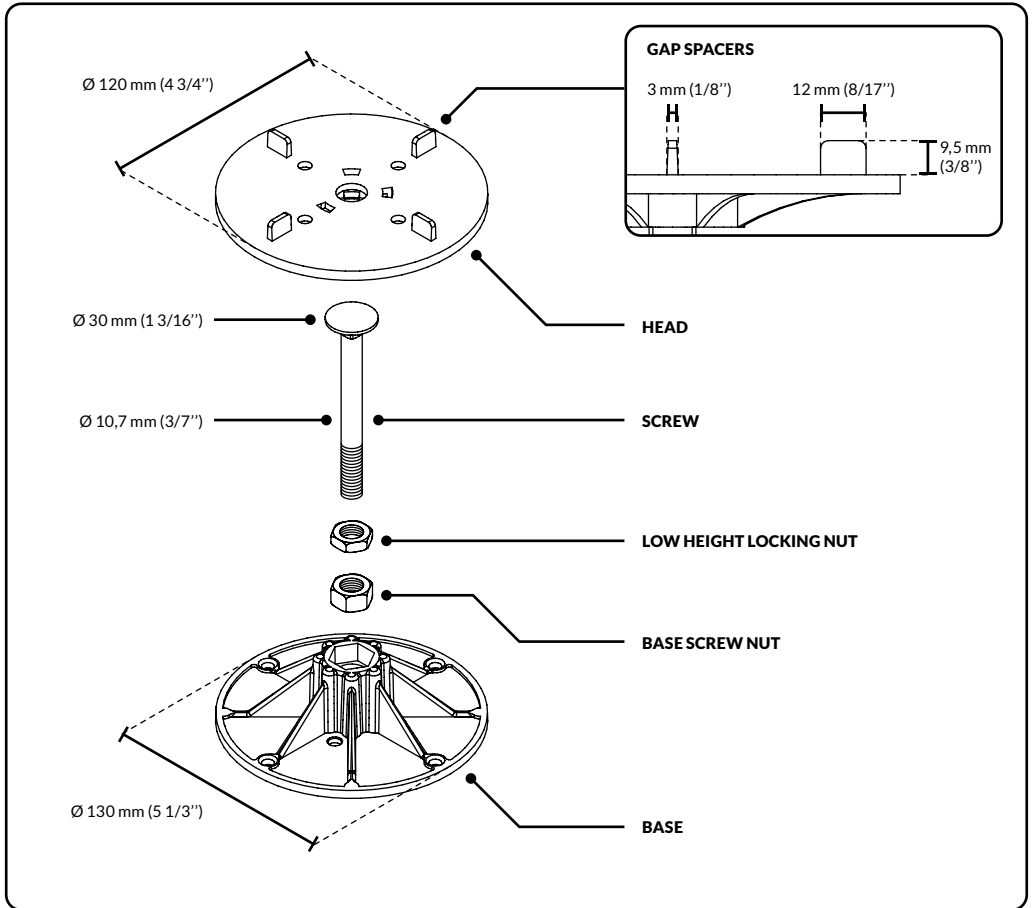
10998  
from **150 mm**  
to **175 mm**  
(5 7/8" - 6 8/9")



#### ALU 170-200

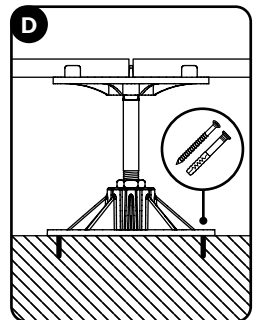
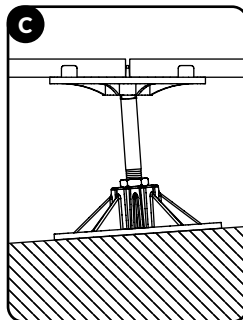
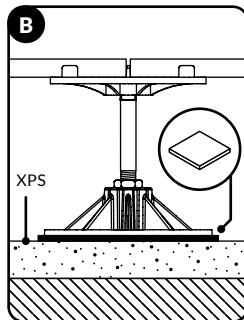
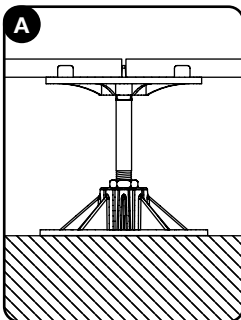
10999  
from **170 mm**  
to **200 mm**  
(6 2/3" - 7 7/8")

## DIMENSIONS:



## SUBSTRATE:

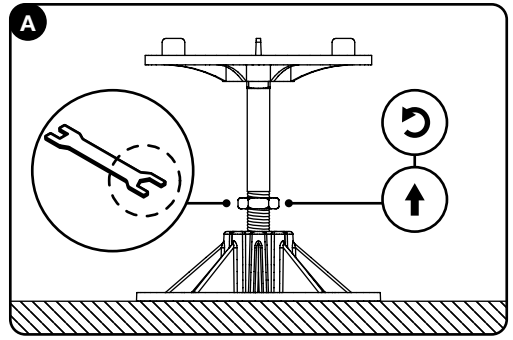
- A) Solid levelled substrate (concrete, timber, stone etc.) no need for additional accessories (A).
- B) Sensitive levelled substrate (bitumen, single ply membrane, XPS etc.) may need additional base protection (B).
- C) Substrates with a significant slope, whether hard or sensitive, do not require any additional items (C). As an option, a protection pad can be used under the support for increased protection of sensitive surfaces and sound insulation.
- D) Substrate requiring pedestals to be fixed (D). Pedestals can be fixed to the substrate providing the substrate is not a waterproofing layer.



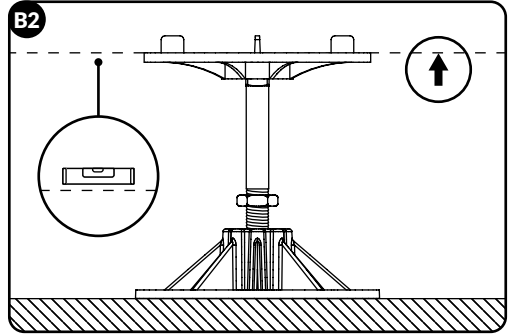
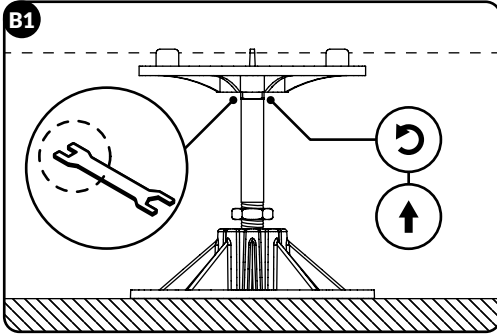
### HEIGHT ADJUSTMENT:

To adjust the ALU pedestals, use the 12 and 19 spanners or the dedicated ALU series pedestals adjustment spanner.

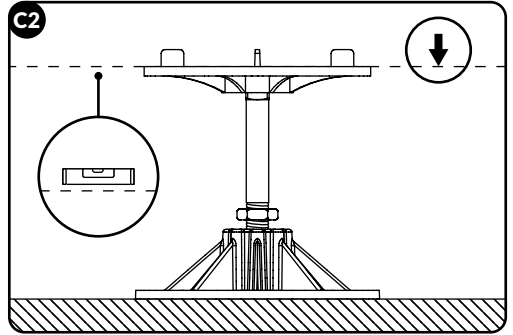
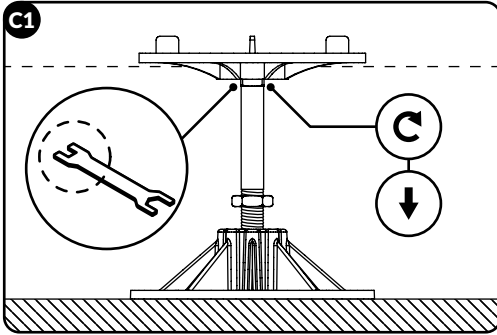
- 1) The lock nut (A) must be loosened to allow the screw to be adjusted.
- 2) Height adjustment is carried out by turning the pedestal screw. Turning the screw clockwise reduces the height of the pedestal (C1, C2). Turning the screw in the opposite direction increases the height of the pedestal (B1, B2).
- 3) Once the correct height is obtained, lock the bolt by tightening the lock nut (D1). Make sure the pedestal is locked (D2).



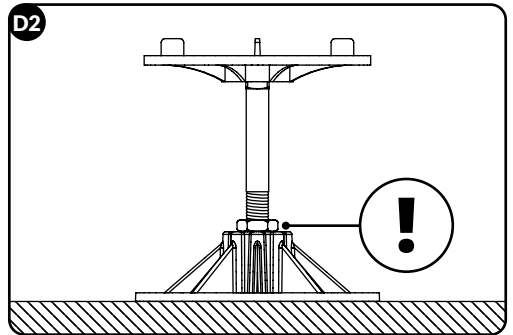
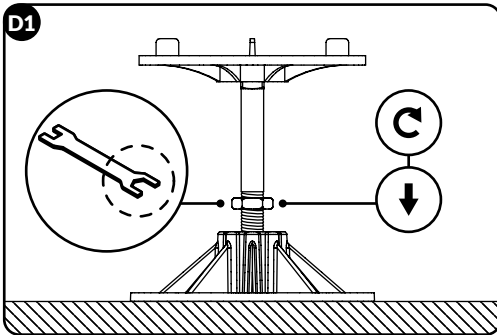
### INCREASE IN HEIGHT:



### HEIGHT REDUCTION:

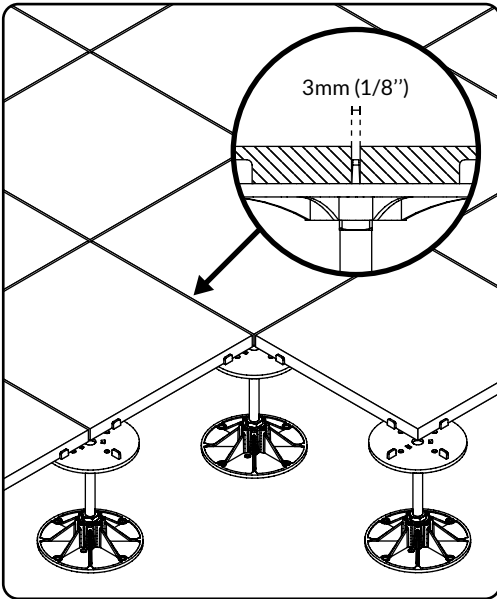


### PEDESTAL HEIGHT LOCK:



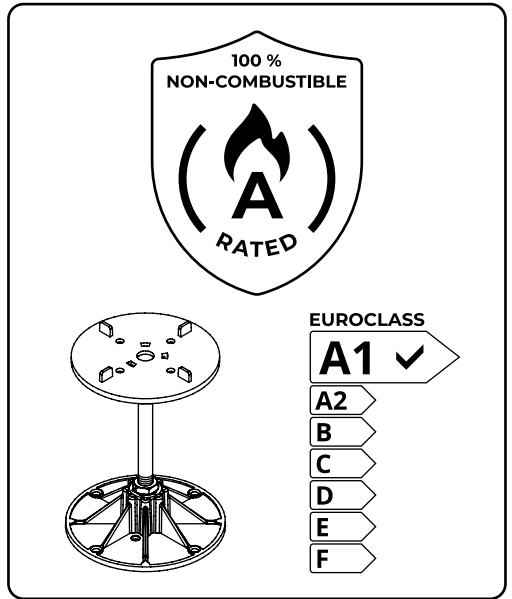
### GAP SPACER:

The ALU series brackets have built-in gap spacers to establish a 3 mm (1/8") wide expansion gap between the pavers.



### FIRE RESISTANCE:

The structure of the pedestals is made entirely of fireproof materials, safety class EURO A1. The pedestals have no plastic or rubber elements.



### SELF LEVELLING:

ALU pedestals have a built-in self-levelling head. They automatically level slopes up to 6%. Self-levelling is carried out in all directions without the use of additional accessories.

